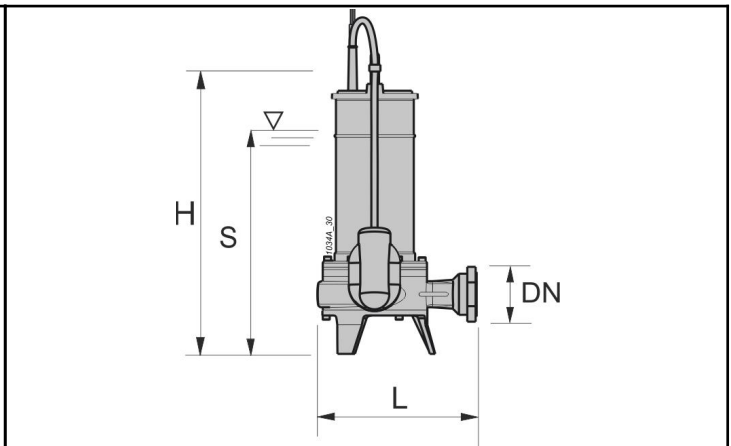
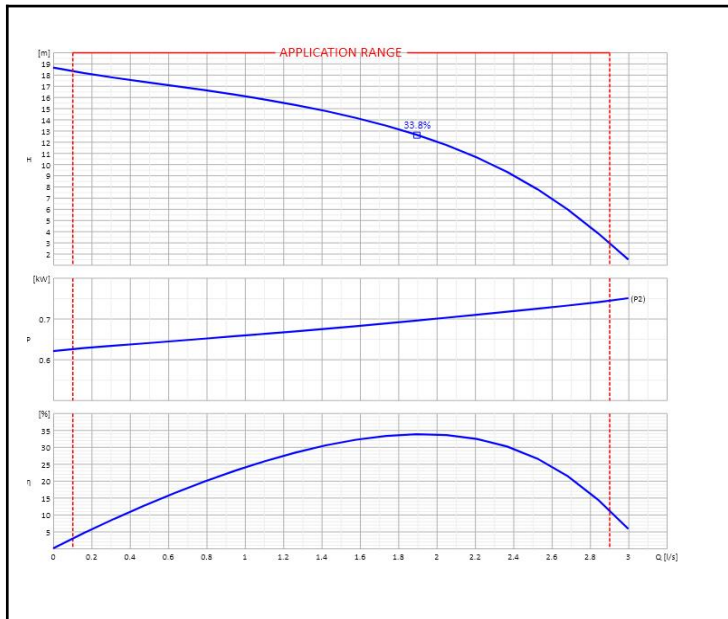


<b>Customer:</b>		<b>Ref.:</b>	
Item	Quantity	Required flow rate	n.d.
Type	SUBMERSIBLE ELECTRIC PUMP FOR WASTE WATER	Model	MXT07M2-230V
		Required head	n.d.



Dimensioni [mm]	
DNm	G 1 1/2"
H	438
L	230
S	343

OPERATING DATA - ISO 9906:2012 3B -					CONSTRUCTION CHARACTERISTICS			
Q [l/s]	H [m]	P [kW]	η [%]	NPSH [m]	Delivery diameter	G 1 1/2"		n.d.
					Type of Impeller	With shredder		
					Moment of inertia	n.d.		
					Electric pump weight	Installation	18	Kg
					Seal on pump side	Motor side	Mechanical	n.d.
					Type of installation	n.d.		
					Operation	Continuous (S1)		

OPERATING LIMITS			OPERATING CHARACTERISTICS			
Pumped liquid	Waste water		Service flow rate	n.d.		n.d.
Max. temperature of pumped liquid	40	°C	Service head	n.d.		n.d.
Maximum density	1	kg/dm³	H (Q=0)	Hmax	0	18.33
Maximum viscosity	1	mm²/s	Qmin	Qmax	0.1	2.9
Max. solid content	n.d.	%	Power consumption at duty point	n.d.		n.d.
Max. number of starts/hr	20		Max power consumption	0.74		kW
Free passage	n.d.	mm	Pump efficiency	Overall	n.d.	n.d.
Minimum immersion depth	n.d.	n.d.	Sense of rotation (*)	Clockwise		

ELECTRIC PUMP MATERIALS		ELECTRIC MOTOR CHARACTERISTICS			
Round power cable	n.d.	Nominal power	0.75		kW
Stator	Electrical steel	Rated frequency	50		Hz
Shaft with rotor	Stainless steel/Magnetic steel	Rated voltage	230		V
Floating	n.d.	Rated current	4.8		A
Impeller	Cast iron	No. Poles	Rotation speed	2	2800
Mechanical seal	Silicon carbide/silicon carbide	Type of motor	1 ~		
Shredder	Stainless steel	Efficiency 4/4	83 %		
Delivery casing	Cast iron	Power factor 4/4			
Duck foot pedestal	Cast iron	Is/In	Ts/Tn	n.d.	n.d.
		Thermal protection			
		Insulation class	F		
		Protection class	IP68		
		Explosion-proof	n.a.		
		Power supply cable	Length	H07RN8	10
		Efficiency class	S.F	n.d.	

<b>Notes:</b>	(*) Viewed from motor coupling side	
OFFER No.	Pos.	Date
		16/01/2020