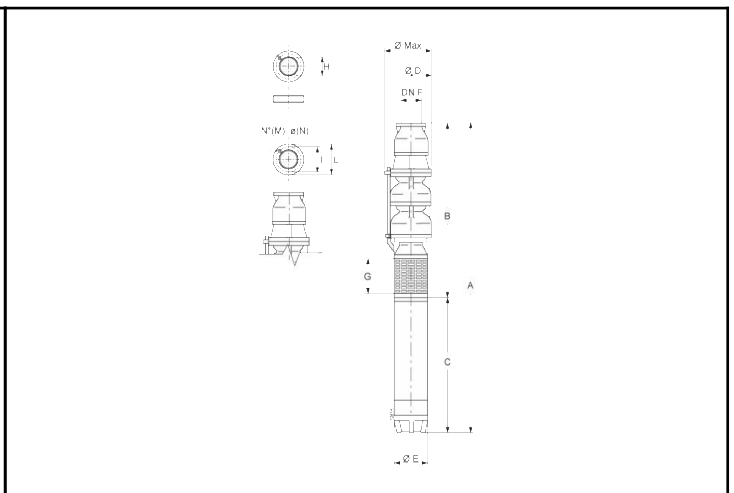
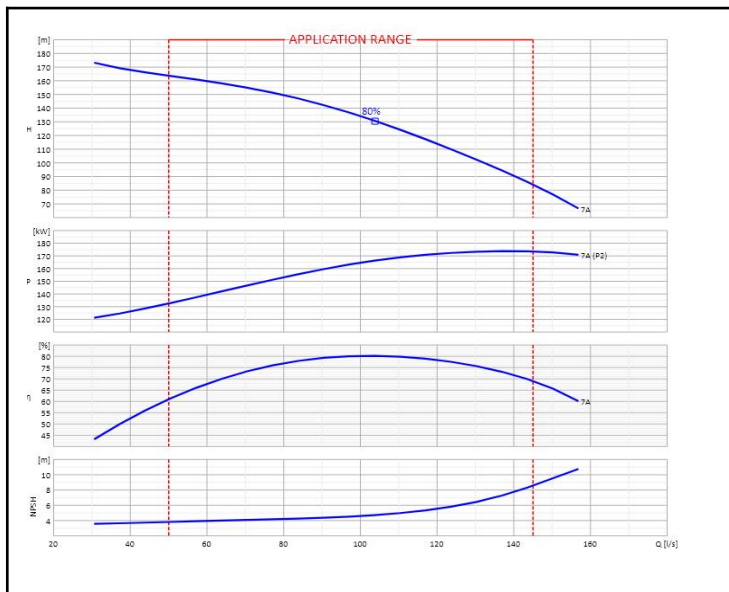


<b>Customer:</b>		<b>Ref.:</b>	
Item	Quantity	Required flow	n.d.
Type	SUBMERSIBLE ELECTRIC PUMP	Model	E16SE55/7A+M14250P-8V



A	4697	E	337	I	293	Ø max	392
B	2655	F	230	L	326		
C	2042	G	262	M	8		
D	338	H	247	N	20		

OPERATING DATA- ISO 9906:2012 3B -					CONSTRUCTION CHARACTERISTICS	
Q [l/s]	H [m]	P [kW]	η [%]	NPSH [m]		
					Delivery diameter	230 mm
					Max. overall diameter	392 mm
					Weight of electric pump	1491 Kg
					No. Stages	7
					Motor seal	Mechanical
					Type of installation	Vertical

OPERATING LIMITS				PUMP MATERIALS	
Pumped liquid	Water			Delivery casing	Cast iron
Max. temp. of pumped liquid (*)	25	°C		Diffuser unit	Cast iron
Maximum density	1	kg/dm³		Suction casing	Nodular cast iron
Maximum viscosity	1	mm²/s		Impeller	Cast iron
Maximum solid content	40	g/m³		Bearing bush	Bronze
Max. number of starts/hr	5			Coupling	Stainless steel
Minimum immersion depth	980	mm		Pump shaft bearing bush	Bronze
OPERATING CHARACTERISTICS				Valve casing	Cast iron
Service flow rate	n.d.		n.d.	Strainer	Stainless steel
Service head	n.d.		n.d.	Wear ring	Cast iron
Qmin	Qmax	50	145	MOTOR MATERIALS	
H (Q=0)	Hmax (Qmin)	186.28	163.44	Shaft	Stainless steel
Power consumption at duty point	n.d.		n.d.	Upper bracket	Cast iron
Pump efficiency	Overall efficiency	n.d.	n.d.	Rotor	Electrical steel
Max. pump efficiency (B.E.P.)	80		n.d.	Stator	Electrical steel
Sense of rotation (**)	Anticlockwise			Stator shell	Stainless steel
Number of pumps installed	Operating	Stand-by		Winding	PE2+PA
	1	0		Lower bracket	Cast iron
ELECTRIC MOTOR CHARACTERISTICS				Mechanical seal	Silicon carbide/silicon carbide
Nominal power	185		kW	Bearing bush	Bronze
Rated frequency	50		Hz	Thrust-bearing	Brass/Synthetic compound
Rated voltage	400		V	Thrust-bearing foot slip	Nodular cast iron
Rated current	370.2		A	Diaphragm	Rubber
No. Poles	Nominal speed	4	1450	Shaft sleeve	Chrome plated steel
Insulation class	Protection class	n.d.		Motor bracket	Nodular cast iron
IP68					
Certified motor for use with drinking water					

<b>Notes:</b>	(*) Speed of the water outside the jacket of the motor v=0.3 m/s	
	(**) View from delivery port.	
	In case of VSD operation, refer to Use and Maintenance Instructions of the electric pump.	
OFFER No.	Pos.	Date
		16/01/2020