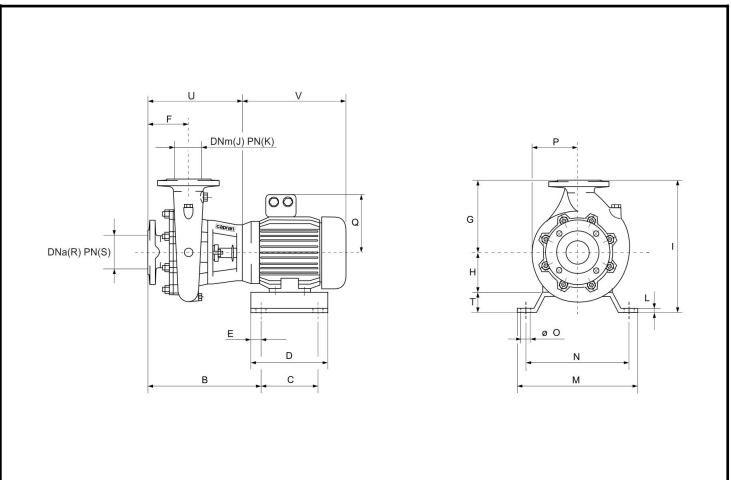
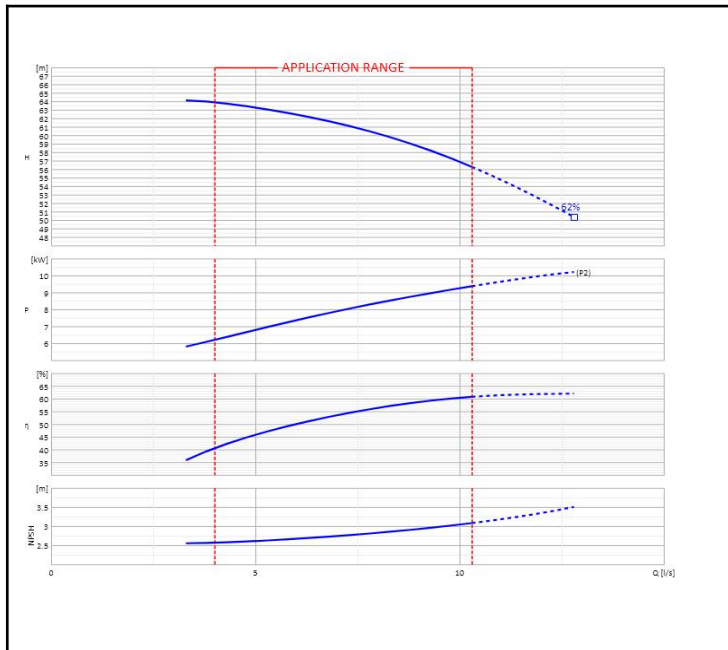


Customer:		Ref.:	
Item	Quantity	Required flow	n.d.
Type	HORIZONTAL MONOBLOC ELECTRIC PUMP	Model	MD50A+M300922221-V



Dimensions [mm]					
B	381.5	J	50	R	65
C	195	K	16	S	16
D	233	L	5	T	38
E	24	M	350	U	301
F	113	N	325	V	425
G	250	O	11.5		
H	132	P	164		
I	420	Q	194		

OPERATING DATA - ISO 9906:2012 3B - M.E.I.≥0.40					CONSTRUCTION CHARACTERISTICS	
Q [l/s]	H [m]	P [kW]	η [%]	NPSH [m]		
					Delivery diameter	50
					Weight	92 Kg
					No. Stages	1
					Seal	Packing
					Type of installation	Horizontal

OPERATING LIMITS			OPERATING CHARACTERISTICS			
pumped liquid	Water		Service flow rate		n.d.	n.d.
Max. temp. of pumped liquid	n.d.		Service head		n.d.	
Maximum density	1	kg/dm ³	Qmin	Qmax	4	10.3
Maximum viscosity	1	mm ² /s	H (Q=0)	Hmax (Qmin)	62.8	63.87
Maximum solid content	20	g/m ³	Power consumption at duty point		n.d.	
Max. number of starts/hr	10		Max. power consumption		9.36 kW	
			Pump efficiency / Overall efficiency		n.d.	n.d.
			Sense of rotation (*)		Clockwise	
			Number of pumps installed		Operating	Stand-by
					1	0

PUMP MATERIALS		ELECTRIC MOTOR CHARACTERISTICS			
Delivery casing	Cast iron	Brand			
Suction casing	Cast iron	Model		M300922T22B341321	
Impeller	Cast iron	Nominal power		9.2	kW
Stuffing box	Cast iron	Rated frequency		50	Hz
Lantern bracket	Cast iron	Rated voltage		400	V
Packing	Graphited cord	Rated current		16.5	A
Gasket for suction cover	Impregnated plastic material	No.	Rotation speed	2	2930
Wear ring	Cast iron	Efficiency 4/4 - 3/4		90.7 - 89.7 %	
Feet	Steel	Power factor 4/4 - 3/4		0.89	
Shaft	Steel	Type of motor		3 ~	
Shaft sleeve	Steel	Is/In	Ts/Tn	10.1	3.7
Impeller nut	Steel	Protection class		IP55	
Stuffing box nuts	Stainless steel	Insulation class		F	
Stuffing box studs	Stainless steel	Thermal protection			
		Efficiency class		IE3	

Notes:	(*) View from electric motor side		
OFFER No.	Pos.	Date	
		16/01/2020	