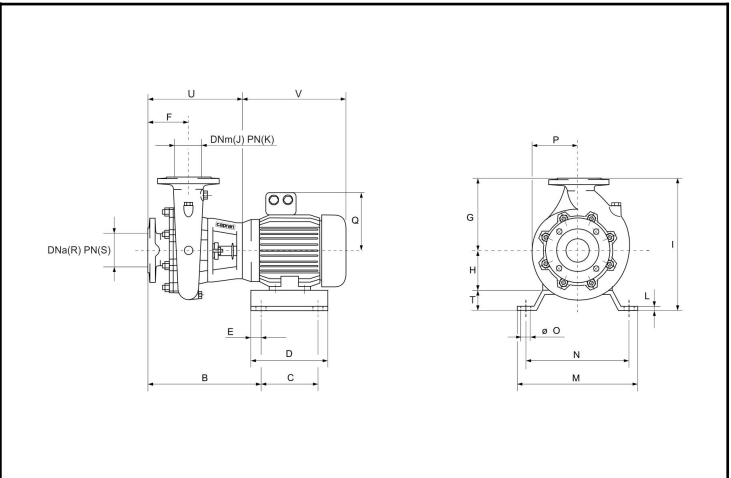
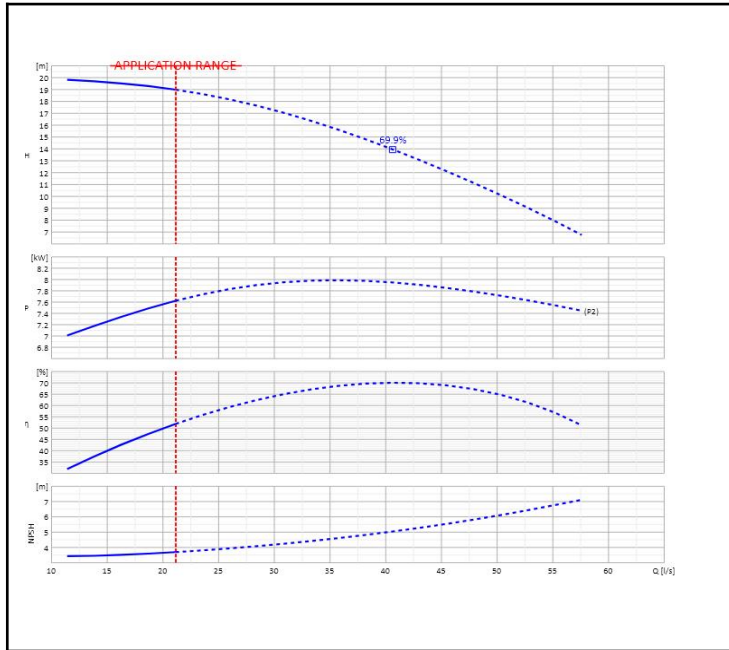


Customer:		Ref.:	
Item	Quantity	Required flow	n.d.
Type	HORIZONTAL MONOBLOC ELECTRIC PUMP	Model	MD100+M300752221-V



Dimensions [mm]					
B	400.5	J	100	R	125
C	195	K	16	S	16
D	233	L	5	T	38
E	24	M	350	U	320
F	132	N	325	V	385
G	275	O	11.5		
H	132	P	148		
I	445	Q	194		

OPERATING DATA - ISO 9906:2012 3B - M.E.I.≥0.40					CONSTRUCTION CHARACTERISTICS	
Q [l/s]	H [m]	P [kW]	η [%]	NPSH [m]	Delivery diameter	100
					Weight	100 Kg
					No. Stages	1
					Seal	Packing
					Type of installation	Horizontal

OPERATING LIMITS			OPERATING CHARACTERISTICS			
pumped liquid	Water		Service flow rate	n.d.		n.d.
Max. temp. of pumped liquid	n.d.		Service head	n.d.		n.d.
Maximum density	1	kg/dm ³	Qmin	21.16	21.16	l/s
Maximum viscosity	1	mm ² /s	H (Q=0)	18.98		18.95 m
Maximum solid content	20 g/m ³		Power consumption at duty point	n.d.		n.d.
Max. number of starts/hr	10		Max. power consumption	7.62		kW
			Pump efficiency	n.d.	n.d.	n.d.
			Overall efficiency	n.d.		n.d.
			Sense of rotation (*)	Clockwise		
			Number of pumps installed	Operating	Stand-by	
				1	0	

PUMP MATERIALS		ELECTRIC MOTOR CHARACTERISTICS			
Delivery casing	Cast iron	Brand			
Suction casing	Cast iron	Model	M300752T22B341321		
Impeller	Cast iron	Nominal power	7.5	kW	
Stuffing box	Cast iron	Rated frequency	50	Hz	
Lantern bracket	Cast iron	Rated voltage	400	V	
Packing	Graphited cord	Rated current	13.1	A	
Gasket for suction cover	Impregnated plastic material	No.	2	2910	1/min
Wear ring	Cast iron	Rotation speed	90.1 - 89.2 %		
Feet	Steel	Efficiency 4/4 - 3/4	0.92		
Shaft	Steel	Power factor 4/4 - 3/4	3 ~		
Shaft sleeve	Steel	Type of motor	3 ~		
Impeller nut	Steel	Is/In	8.9	3	
Stuffing box nuts	Stainless steel	Ts/Tn			
Stuffing box studs	Stainless steel	Protection class	IP55		
		Insulation class	F		
		Thermal protection			
		Efficiency class	IE3		

Notes:	(*) View from electric motor side		
OFFER No.	Pos.	Date	
		16/01/2020	