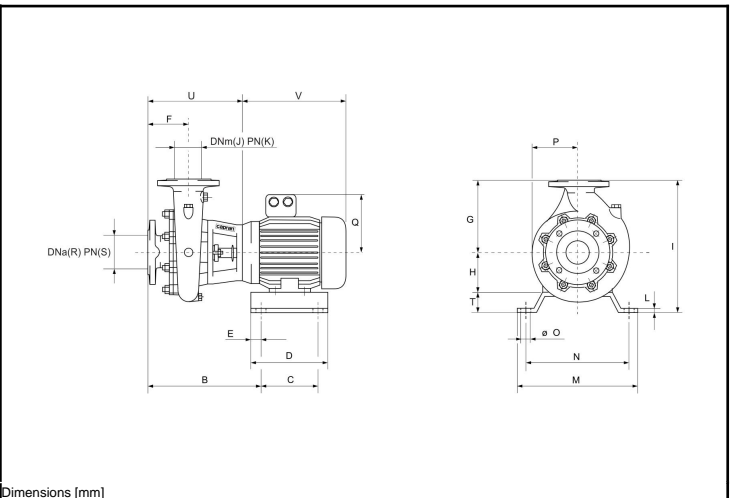
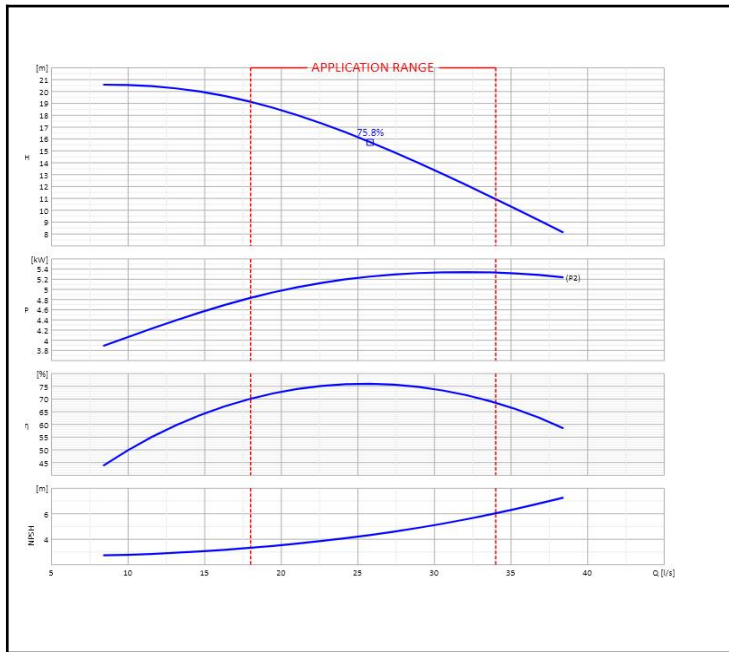


Customer:		Ref.:	
Item	Quantity	Required flow	n.d.
Type	HORIZONTAL MONOBLOC ELECTRIC PUMP	Model	MD80+M300552211-V



Dimensions [mm]					
B	339.5	J	80	R	100
C	155	K	16	S	16
D	190	L	5	T	58
E	22.5	M	315	U	277
F	123	N	290	V	328
G	225	O	11.5		
H	112	P	130		
I	395	Q	160		

OPERATING DATA - ISO 9906:2012 3B - M.E.I.≥0.40					CONSTRUCTION CHARACTERISTICS	
Q [l/s]	H [m]	P [kW]	η [%]	NPSH [m]		
					Delivery diameter	80
					Weight	74 Kg
					No. Stages	1
					Seal	Packing
					Type of installation	Horizontal

OPERATING LIMITS			OPERATING CHARACTERISTICS		
pumped liquid	Water		Service flow rate	n.d.	n.d.
Max. temp. of pumped liquid	n.d.		Service head	n.d.	
Maximum density	1	kg/dm ³	Qmin	18	34
Maximum viscosity	1	mm ² /s	H (Q=0)	19.24	19.11
Maximum solid content	20	g/m ³	Hmax (Qmin)	m	
Max. number of starts/hr	10		Power consumption at duty point	n.d.	n.d.
			Max. power consumption	5.33	kW
			Pump efficiency	n.d.	n.d.
			Overall efficiency	n.d.	n.d.
			Sense of rotation (*)	Clockwise	
			Number of pumps installed	Operating	Stand-by
				1	0

PUMP MATERIALS		ELECTRIC MOTOR CHARACTERISTICS		
Delivery casing	Cast iron	Brand		
Suction casing	Cast iron	Model	M300552T21B341121	
Impeller	Cast iron	Nominal power	5.5	kW
Stuffing box	Cast iron	Rated frequency	50	Hz
Lantern bracket	Cast iron	Rated voltage	400	V
Packing	Graphited cord	Rated current	10.2	A
Gasket for suction cover	Impregnated plastic material	No.	2	2935
Wear ring	Cast iron	Rotation speed	1/min	
Feet	Steel	Efficiency 4/4 - 3/4	89.2 - 88.3 %	
Shaft	Steel	Power factor 4/4 - 3/4	0.87	
Shaft sleeve	Steel	Type of motor	3 ~	
Impeller nut	Steel	Is/In	11.2	Ts/Tn
Stuffing box nuts	Stainless steel		4.2	
Stuffing box studs	Stainless steel	Protection class	IP55	
		Insulation class	F	
		Thermal protection		
		Efficiency class	IE3	

Notes:	(*) View from electric motor side		
OFFER No.	Pos.	Date	
		16/01/2020	