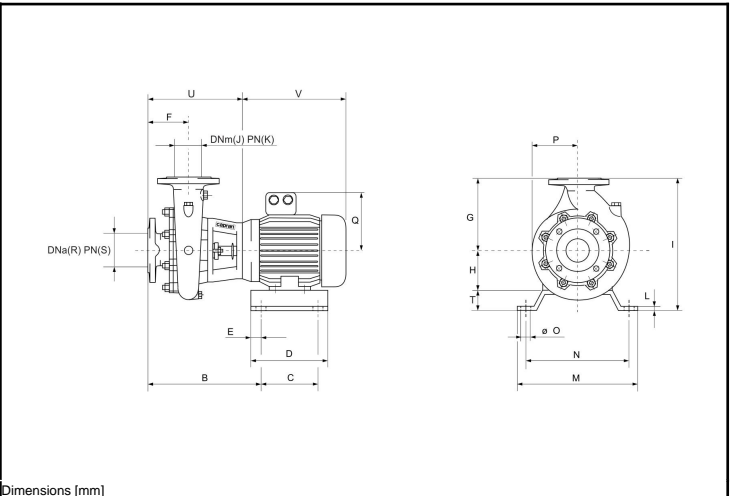
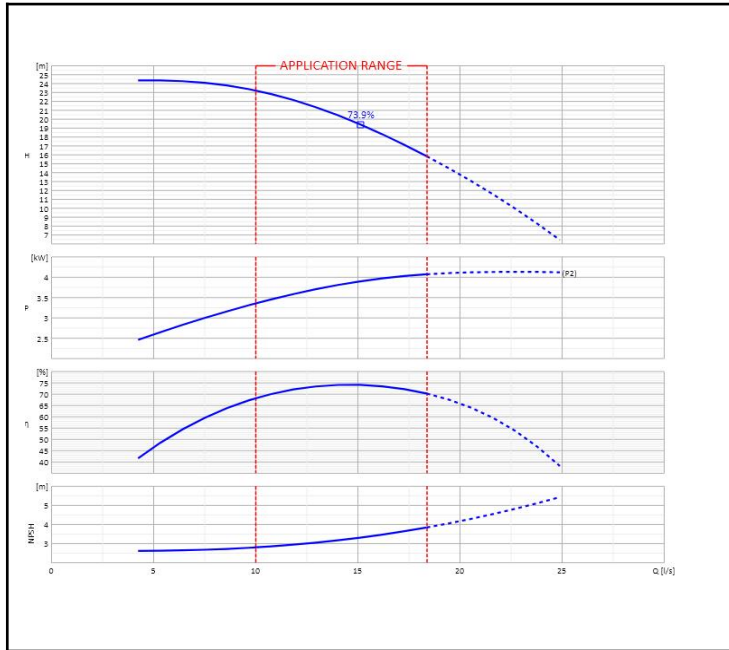


<b>Customer:</b>		<b>Ref.:</b>	
Item	Quantity	Required flow	n.d.
Type	HORIZONTAL MONOBLOC ELECTRIC PUMP	Model	MD65+M300402211-V



Dimensions [mm]					
B	323.5	J	65	R	80
C	145	K	16	S	16
D	180	L	4	T	50
E	22.5	M	285	U	263
F	109	N	260	V	306
G	200	O	11.5		
H	100	P	120		
I	350	Q	145		

OPERATING DATA - ISO 9906:2012 3B - M.E.I.≥0.40					CONSTRUCTION CHARACTERISTICS	
Q [l/s]	H [m]	P [kW]	η [%]	NPSH [m]	Delivery diameter	65
					Weight	58 Kg
					No. Stages	1
					Seal	Packing
					Type of installation	Horizontal

OPERATING LIMITS			OPERATING CHARACTERISTICS			
pumped liquid	Water		Service flow rate	n.d.	n.d.	
Max. temp. of pumped liquid	n.d.		Service head	n.d.		
Maximum density	1	kg/dm³	Qmin	10	18.39	l/s
Maximum viscosity	1	mm²/s	H (Q=0)	23.22	23.17	m
Maximum solid content	20	g/m³	Power consumption at duty point	n.d.		
Max. number of starts/hr	10		Max. power consumption	4.06 kW		
			Pump efficiency	n.d.	n.d.	n.d.
			Overall efficiency	n.d.		
			Sense of rotation (*)	Clockwise		
			Number of pumps installed	Operating	Stand-by	
				1	0	

PUMP MATERIALS		ELECTRIC MOTOR CHARACTERISTICS			
Delivery casing	Cast iron	Brand			
Suction casing	Cast iron	Model	M300402T21B341001		
Impeller	Cast iron	Nominal power	4	kW	
Stuffing box	Cast iron	Rated frequency	50	Hz	
Lantern bracket	Cast iron	Rated voltage	400	V	
Packing	Graphited cord	Rated current	8.2	A	
Gasket for suction cover	Impregnated plastic material	No.	2	2920	1/min
Wear ring	Cast iron	Rotation speed	88.1 - 87.2 %		
Feet	Steel	Efficiency 4/4 - 3/4	0.81		
Shaft	Steel	Power factor 4/4 - 3/4	3 ~		
Shaft sleeve	Steel	Type of motor	10.9 6.1		
Impeller nut	Steel	Is/In	Ts/Tn		
Stuffing box nuts	Stainless steel	Ts/Tn	10.9 6.1		
Stuffing box studs	Stainless steel	Protection class	IP55		
		Insulation class	F		
		Thermal protection			
		Efficiency class	IE3		

<b>Notes:</b>	(*) View from electric motor side		
OFFER No.	Pos.	Date	
		16/01/2020	