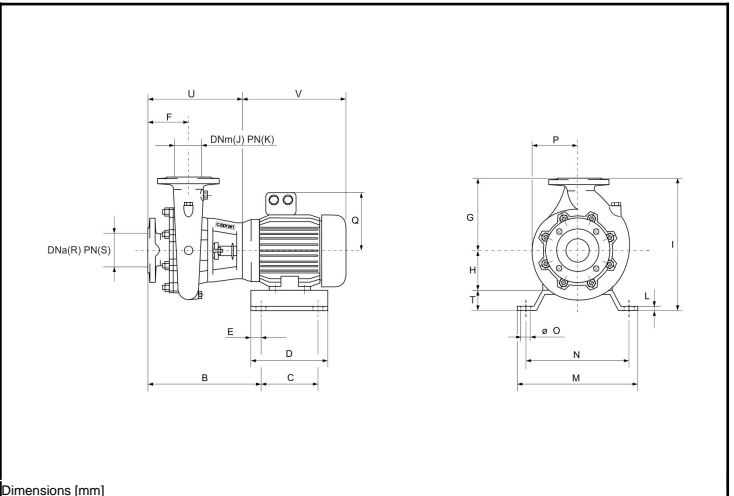
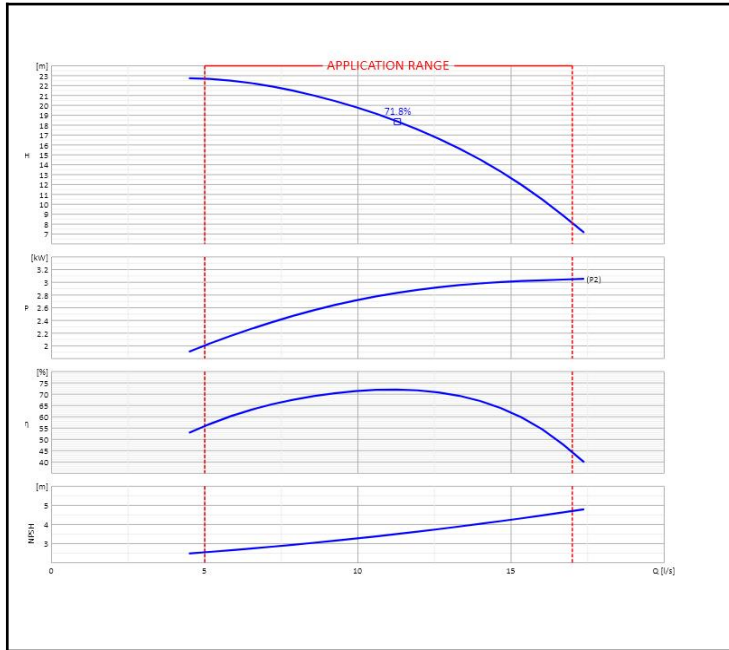


<b>Customer:</b>		<b>Ref.:</b>	
<b>Item</b>	Quantity	<b>Required flow</b>	n.d.
<b>Type</b>	HORIZONTAL MONOBLOC ELECTRIC PUMP	<b>Model</b>	MD50+M300302111-V



Dimensions [mm]					
B	322.5	J	50	R	65
C	145	K	16	S	16
D	180	L	4	T	50
E	22.5	M	285	U	262
F	108	N	260	V	306
G	175	O	11.5		
H	100	P	114		
I	325	Q	145		

OPERATING DATA - ISO 9906:2012 3B - M.E.I.≥0.40					CONSTRUCTION CHARACTERISTICS	
Q [l/s]	H [m]	P [kW]	η [%]	NPSH [m]	Delivery diameter	50
					Weight	51 Kg
					No. Stages	1
					Seal	Packing
					Type of installation	Horizontal

OPERATING LIMITS			OPERATING CHARACTERISTICS		
pumped liquid	Water		Service flow rate	n.d.	n.d.
Max. temp. of pumped liquid	n.d.		Service head	n.d.	
Maximum density	1	kg/dm <sup>3</sup>	Qmin	5	17
Maximum viscosity	1	mm <sup>2</sup> /s	H (Q=0)	21.8	22.64
Maximum solid content	20	g/m <sup>3</sup>	Hmax (Qmin)	m	
Max. number of starts/hr	10		Power consumption at duty point	n.d.	
			Max. power consumption	3.04 kW	
			Pump efficiency	n.d.	n.d.
			Overall efficiency	n.d.	n.d.
			Sense of rotation (*)	Clockwise	
			Number of pumps installed	Operating	Stand-by
				1	0

PUMP MATERIALS		ELECTRIC MOTOR CHARACTERISTICS		
Delivery casing	Cast iron	Brand		
Suction casing	Cast iron	Model	M300302T11B341001	
Impeller	Cast iron	Nominal power	3	kW
Stuffing box	Cast iron	Rated frequency	50	Hz
Lantern bracket	Cast iron	Rated voltage	400	V
Packing	Graphited cord	Rated current	5.6	A
Gasket for suction cover	Impregnated plastic material	No.	2	2900
Wear ring	Cast iron	Rotation speed	1/min	
Feet	Steel	Efficiency 4/4 - 3/4	87.1 - 85.8 %	
Shaft	Steel	Power factor 4/4 - 3/4	0.89	
Shaft sleeve	Steel	Type of motor	3 ~	
Impeller nut	Steel	Is/In	8.8	Ts/Tn
Stuffing box nuts	Stainless steel			5.5
Stuffing box studs	Stainless steel	Protection class	IP55	
		Insulation class	F	
		Thermal protection		
		Efficiency class	IE3	

<b>Notes:</b>	(*) View from electric motor side		
OFFER No.	Pos.	Date	
		16/01/2020	