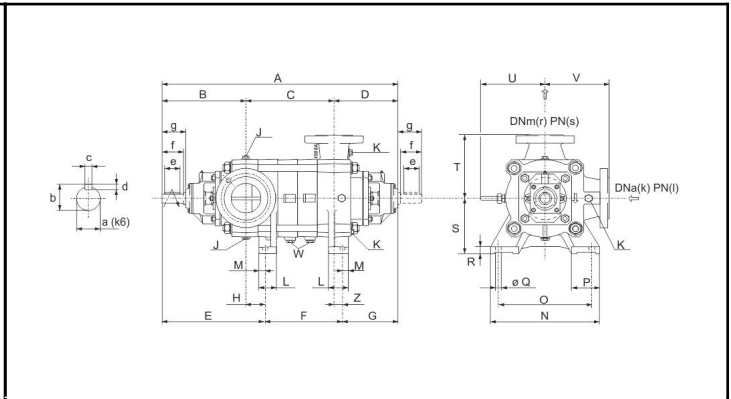
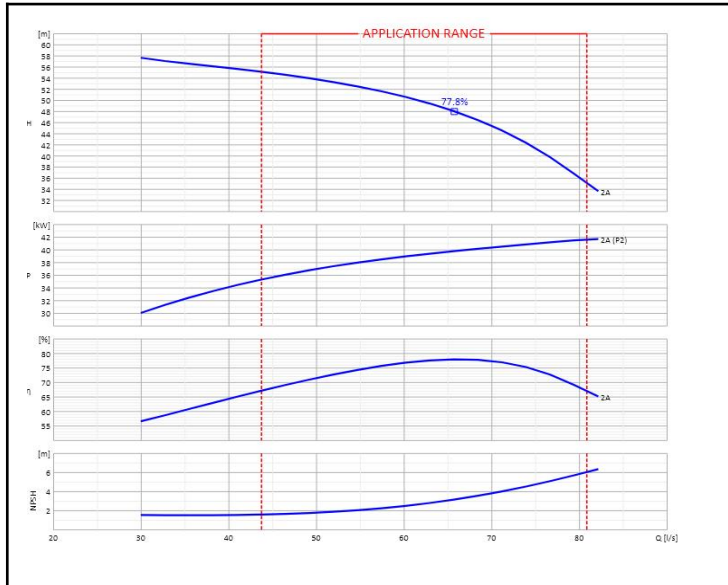


<b>Customer:</b>		<b>Ref.:</b>	
<b>Item</b>	Quantity	<b>Required flow</b>	n.d.
<b>Type</b>	CENTRIFUGAL PUMP WITH HORIZONTAL SHAFT	<b>Model</b>	PML150/2A



Dimensions [mm]							
A	1190	K	G1/2	T	370	e	120
B	479	L	125	U	358	f	130
C	360	M	45	V	370	g	145
D	351	N	680	W	G1/4	k	200
E	619	O	590	Z	50	l	25
F	270	P	170	a	55	r	150
G	301	Q	24	b	59	s	40
H	140	R	40	c	16		
J	G3/4	S	315	d	10		

OPERATING DATA - ISO 9906:2012 3B -					CONSTRUCTION CHARACTERISTICS			
Q [l/s]	H [m]	P [kW]	η [%]	NPSH [m]	UNI delivery flange DN	150	PN	40
					UNI suction flange DN	200	PN	25
					Total weight	652		Kg
					No. Stages		2	
					Pump seal		Packing	
					Type of installation		Horizontal	

OPERATING LIMITS			OPERATING CHARACTERISTICS		
Pumped liquid	Water		Service flow rate	n.d.	n.d.
Max. temperature of pumped liquid	n.d.		Service head	n.d.	n.d.
Maximum density	1	kg/dm <sup>3</sup>	Qmin	43.73	80.83
Maximum viscosity	1	mm <sup>2</sup> /s	H (Q=0)	73.6	55.09
Max. solid content	20	g/m <sup>3</sup>	Hmax (Qmin)		
Max. no. starts/hr	n.d.		P2 Duty Point	n.d.	41.54
			P2max		
			Pump hydraulic efficiency	n.d.	n.d.
Maximum operating time with closed port	2min (3500 rpm)	6min (1450 rpm) [40 °C]	Rotation speed	1450	1/min
			Sense of rotation (*)	Clockwise	
			Number of pumps installed	Operating	Stand-by
				1	0

PUMP MATERIALS	
Delivery casing	Cast iron
Bearing support	Cast iron
Impeller	Cast iron
Suction casing	Cast iron
Pump shaft	Stainless steel
Stuffing box	Nodular cast iron
Bearing flange	Cast iron
Diffuser	Cast iron
Casing	Cast iron
Impeller wear ring	Steel
Drum wear ring	Cast iron
Tie rod	Steel
Shaft sleeve	Stainless steel
V seal ring	Rubber
Bearing	Stainless steel
OR seal ring	Rubber
Packing	Graphited cord

<b>Notes:</b>	(*) View from motor coupling side
OFFER No.	Pos.
	Date
	14/01/2020