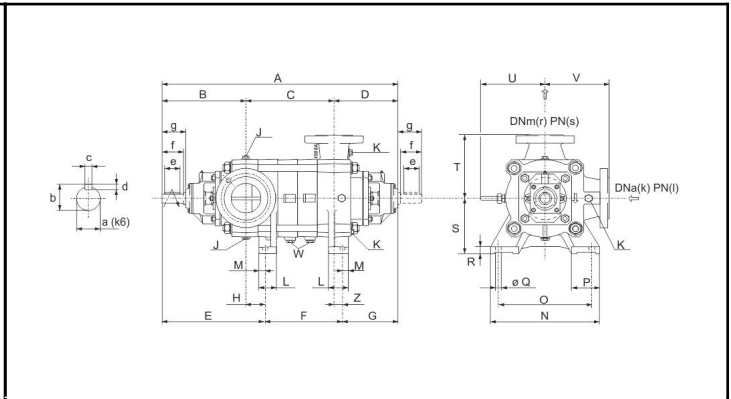
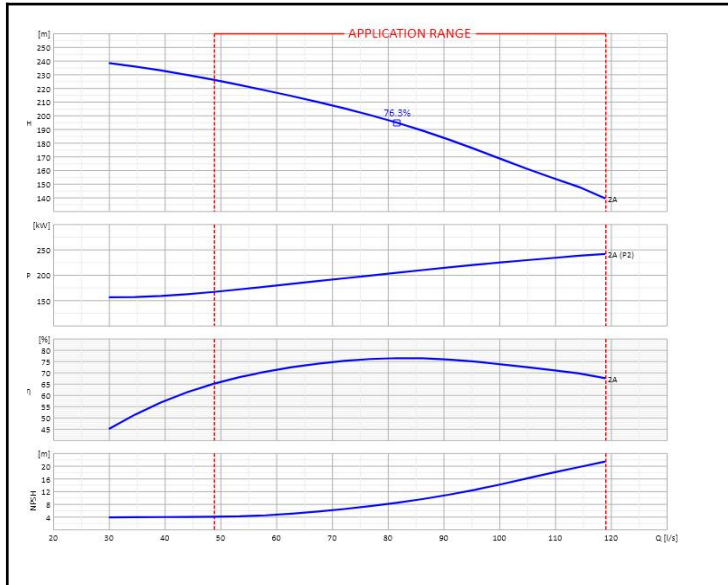


|                  |  |                      |            |
|------------------|--|----------------------|------------|
| <b>Customer:</b> |  | <b>Ref.:</b>         |            |
| <b>Item</b>      | Quantity                               | <b>Required flow</b> | n.d.       |
| <b>Type</b>      | CENTRIFUGAL PUMP WITH HORIZONTAL SHAFT | <b>Model</b>         | PMXT125/2A |



|   |      |   |      |   |      |   |     |
|---|------|---|------|---|------|---|-----|
| A | 1033 | K | G1/2 | T | 320  | e | 100 |
| B | 451  | L | 100  | U | 326  | f | 110 |
| C | 245  | M | 32   | V | 320  | g | 125 |
| D | 337  | N | 570  | W | G1/4 | k | 150 |
| E | 539  | O | 460  | Z | 43   | l | 25  |
| F | 200  | P | 145  | a | 45   | r | 125 |
| G | 294  | Q | 24   | b | 48.5 | s | 40  |
| H | 88   | R | 35   | c | 14   |   |     |
| J | G3/4 | S | 280  | d | 9    |   |     |

| OPERATING DATA - ISO 9906:2012 3B - |       |        |       |          | CONSTRUCTION CHARACTERISTICS |            |    |    |
|-------------------------------------|-------|--------|-------|----------|------------------------------|------------|----|----|
| Q [l/s]                             | H [m] | P [kW] | η [%] | NPSH [m] | UNI delivery flange DN       | 125        | PN | 40 |
|                                     |       |        |       |          | UNI suction flange DN        | 150        | PN | 25 |
|                                     |       |        |       |          | Total weight                 | 462        |    | Kg |
|                                     |       |        |       |          | No. Stages                   | 2          |    |    |
|                                     |       |        |       |          | Pump seal                    | Mechanical |    |    |
|                                     |       |        |       |          | Type of installation         | Horizontal |    |    |

| OPERATING LIMITS                        |  |                    | OPERATING CHARACTERISTICS |           |        |
|---|--|--------------------|---------------------------|-----------|--------|
| Pumped liquid                           | Water                                      |                    | Service flow rate         | n.d.      | n.d.   |
| Max. temperature of pumped liquid       | n.d.                                       |                    | Service head              | n.d.      | n.d.   |
| Maximum density                         | 1  | kg/dm <sup>3</sup> | Qmin                      | 48.83     | 119    |
| Maximum viscosity                       | 1  | mm <sup>2</sup> /s | H (Q=0)                   | 261.3     | 225.93 |
| Max. solid content                      | 0  | g/m <sup>3</sup>   | Hmax (Qmin)               |           |        |
| Max. no. starts/hr                      | n.d.                                       |                    | P2 Duty Point             | n.d.      | 241    |
| Maximum operating time with closed port | 2min (3500 rpm)<br>6min (1450 rpm) [40 °C] |                    | P2max                     |           | kW     |
|   |  |                    | Pump hydraulic efficiency | n.d.      | n.d.   |
|   |  |                    | Rotation speed            | 2900      | 1/min  |
|   |  |                    | Sense of rotation (*)     | Clockwise |        |
| Number of pumps installed               |  |                    | Operating                 | 1         |        |
|   |  |                    | Stand-by                  |           | 0      |

| PUMP MATERIALS     |                 |  |  |
|--------------------|-----------------|--|--|
| Delivery casing    | Stainless steel |  |  |
| Bearing support    | Stainless steel |  |  |
| Impeller           | Stainless steel |  |  |
| Suction casing     | Stainless steel |  |  |
| Pump shaft         | Stainless steel |  |  |
| Bearing flange     | Stainless steel |  |  |
| Diffuser           | Stainless steel |  |  |
| Casing             | Stainless steel |  |  |
| Impeller wear ring | Stainless steel |  |  |
| Drum wear ring     | Stainless steel |  |  |
| Tie rod            | Stainless steel |  |  |
| Shaft sleeve       | Stainless steel |  |  |
| V seal ring        | Rubber          |  |  |
| Bearing            | Stainless steel |  |  |
| OR seal ring       | Rubber          |  |  |

|               |                                   |                    |  |
|---------------|-----------------------------------|--------------------|--|
| <b>Notes:</b> | (*) View from motor coupling side |                    |  |
| OFFER No.     | Pos.                              | Date<br>17/01/2020 |  |