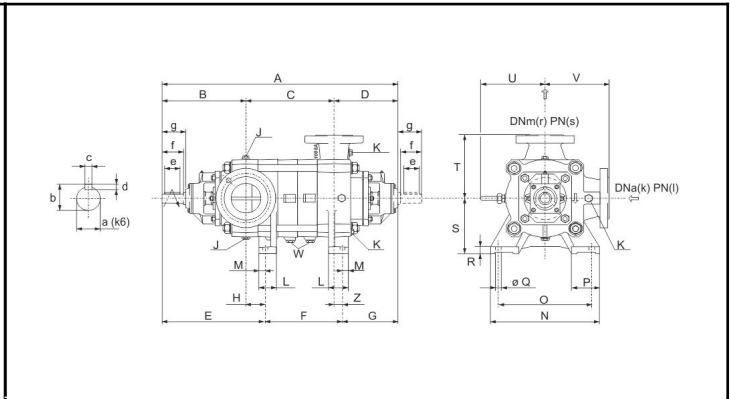
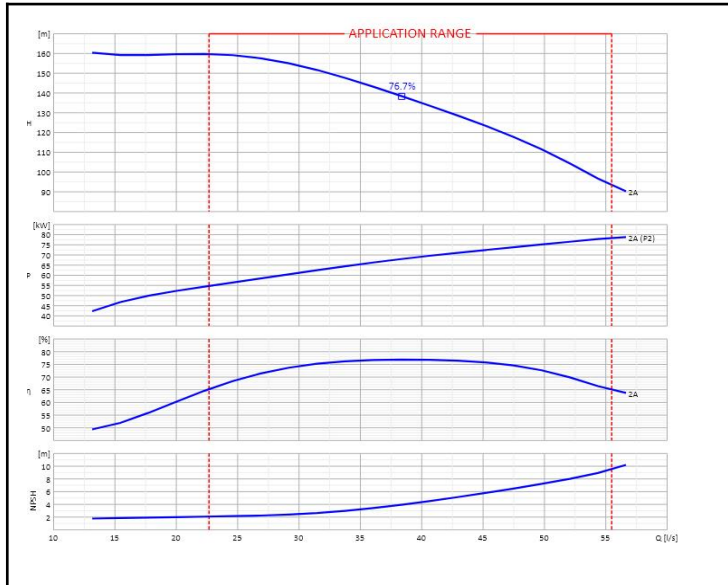


<b>Customer:</b>		<b>Ref.:</b>	
Item	Quantity	Required flow	n.d.
Type	CENTRIFUGAL PUMP WITH HORIZONTAL SHAFT	Model	PM100/2A



A	827.5	K	G1/2	T	270	e	70
B	365	L	85	U	275	f	90
C	169.5	M	32	V	270	g	104
D	293	N	460	W	G1/4	k	125
E	418.5	O	400	Z	33	l	25
F	149	P	117	a	35	r	100
G	260	Q	24	b	38	s	40
H	53.5	R	30	c	10	p2	600
J	G1/2	S	225	d	8		

OPERATING DATA- ISO 9906:2012 3B -					CONSTRUCTION CHARACTERISTICS			
Q [l/s]	H [m]	P [kW]	η [%]	NPSH [m]	UNI delivery flange DN	100	PN	40
					UNI suction flange DN	125	PN	25
					Total weight	219		Kg
					No. Stages		2	
					Pump seal		Packing	
					Type of installation		Horizontal	

OPERATING LIMITS			OPERATING CHARACTERISTICS			
Pumped liquid	Water		Service flow rate	n.d.	n.d.	
Max. temperature of pumped liquid	n.d.		Service head	n.d.	n.d.	
Maximum density	1	kg/dm <sup>3</sup>	Qmin	22.67	55.49	l/s
Maximum viscosity	1	mm <sup>2</sup> /s	H (Q=0)	159.16	159.47	m
Max. solid content	20	g/m <sup>3</sup>	P2 Duty Point	n.d.	78.1	kW
Max. no. starts/hr	n.d.		P2max			
Maximum operating time with closed port	2min (3500 rpm) 6min (1450 rpm) [40 °C]		Pump hydraulic efficiency	n.d.	n.d.	
			Rotation speed	2900	1/min	
			Sense of rotation (*)	Clockwise		
Number of pumps installed			Operating	1	Stand-by	0

PUMP MATERIALS	
Delivery casing	Cast iron
Bearing support	Cast iron
Impeller	Cast iron
Suction casing	Cast iron
Pump shaft	Stainless steel
Stuffing box	Nodular cast iron
Bearing flange	Cast iron
Diffuser	Cast iron
Casing	Cast iron
Impeller wear ring	Steel
Drum wear ring	Cast iron
Tie rod	Steel
Shaft sleeve	Stainless steel
V seal ring	Rubber
Bearing	Stainless steel
OR seal ring	Rubber
Packing	Graphited cord

<b>Notes:</b>	(*) View from motor coupling side
OFFER No.	Pos.
	Date 14/01/2020