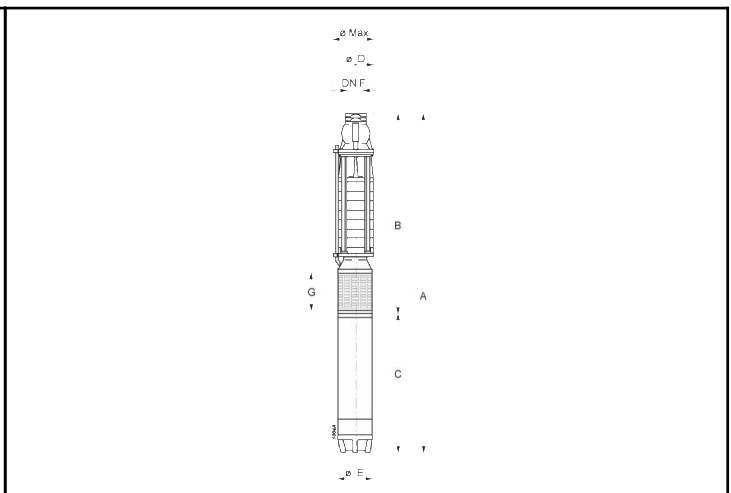
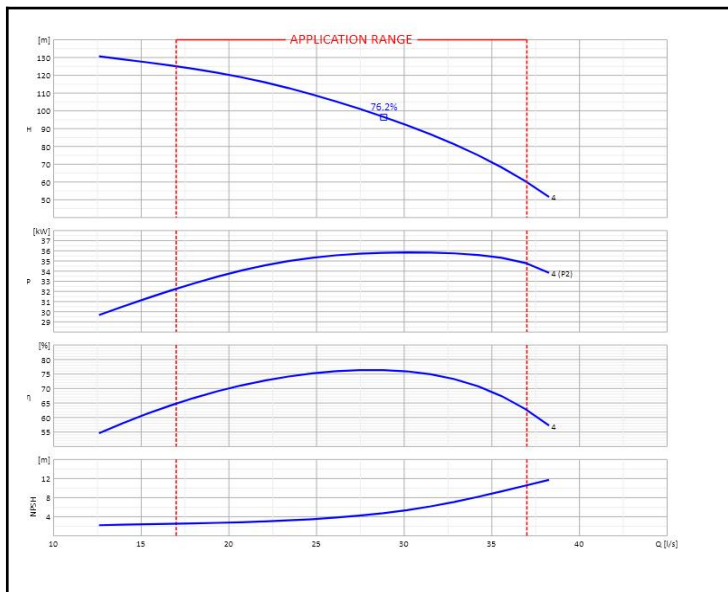


Customer:		Ref.:	
Item	Quantity	Required flow	n.d.
Type	SUBMERSIBLE ELECTRIC PUMP	Model	E10R40/4+MAC850-8V



Dimensions [mm]	
A	2073.5
B	958.5
C	1115
D	215
E	191
F	G4
G	160
Ø max	244

OPERATING DATA- ISO 9906:2012 3B -					CONSTRUCTION CHARACTERISTICS		
Q [l/s]	H [m]	P [kW]	η [%]	NPSH [m]	Delivery diameter	G4	n.d.
					Max. overall diameter	244	mm
					Weight of electric pump	246	Kg
					No. Stages	4	
					Motor seal	Mechanical	
					Type of installation	Vertical	

OPERATING LIMITS				PUMP MATERIALS			
Pumped liquid	Water			Delivery casing	Cast iron		
Max. temp. of pumped liquid (*)	30	°C		Diffuser unit	Cast iron		
Maximum density	1	kg/dm ³		Suction casing	Nodular cast iron		
Maximum viscosity	1	mm ² /s		Impeller	Cast iron		
Maximum solid content	40	g/m ³		Shaft	Stainless steel		
Max. number of starts/hr	10			Bearing bush	Bronze		
Minimum immersion depth	610	mm		Coupling	Stainless steel		
OPERATING CHARACTERISTICS				Valve casing	Cast iron		
				Strainer	Stainless steel		
				Shaft sleeve	Stainless steel		
				MOTOR MATERIALS			
Service flow rate	n.d.		n.d.		Shaft	Stainless steel	
Service head	n.d.		n.d.		Upper bracket	Cast iron	
Qmin	Qmax	17	37	l/s		Rotor	Electrical steel
H (Q=0)	Hmax (Qmin)	148.14	124.87	m		Stator	Electrical steel
Power consumption at duty point	n.d.		n.d.		Stator shell	Stainless steel	
Pump efficiency	Overall efficiency	n.d.	n.d.	n.d.		Winding	Green wire
Max. pump efficiency (B.E.P.)	76.2		n.d.		Lower bracket	Cast iron	
Sense of rotation (**)	Anticlockwise			Shaft sleeve	Chrome plated steel		
Number of pumps installed	Operating		Stand-by		Motor bracket	Cast iron	
	1		0				

ELECTRIC MOTOR CHARACTERISTICS			
Nominal power	37		kW
Rated frequency	50		Hz
Rated voltage	400		V
Rated current	76.2		A
No. Poles	Nominal speed	2	2910 1/min
Insulation class	Protection class	n.d. IP68	
<i>Certified motor for use with drinking water</i>			

Notes:	(*) Speed of the water outside the jacket of the motor v=0.2 m/s		
	(**) View from delivery port.		
	In case of VSD operation, refer to Use and Maintenance Instructions of the electric pump.		
OFFER No.	Pos.	Date	
		16/01/2020	