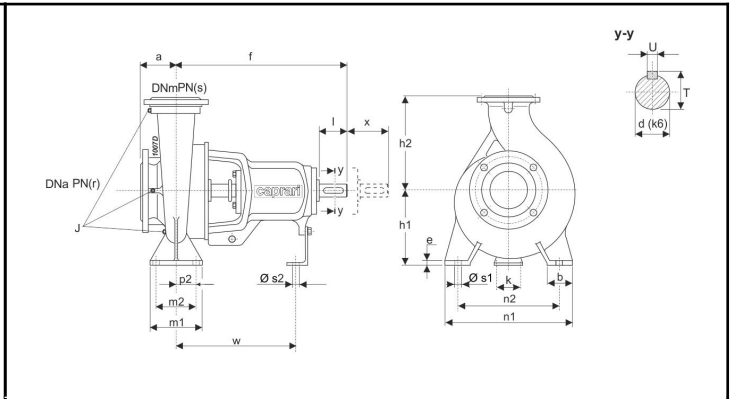
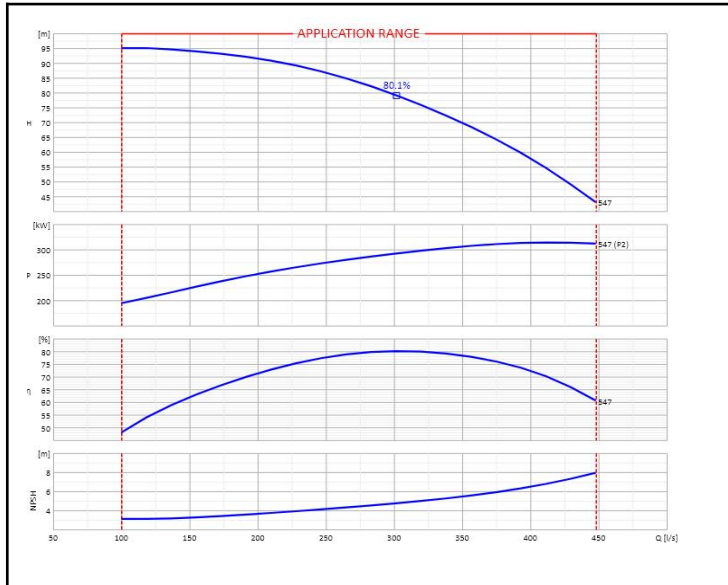


| | | | |
|------------------|--|----------------------|-------------------|
| Customer: | | Ref.: | |
| Item | Quantity | Required flow | n.d. |
| Type | CENTRIFUGAL PUMP WITH HORIZONTAL SHAFT | Model | NCH250-500 |



| | | | | | |
|-----|--------|----|-----|----|------|
| DNm | 250 | f | 885 | n2 | 630 |
| DNa | 300 | k | 180 | p2 | n.d. |
| J | G3/8x3 | l | 140 | s2 | 18 |
| T | 69 | r | 16 | h1 | 450 |
| U | 18 | s | 16 | m1 | 315 |
| a | 225 | w | 670 | n1 | 760 |
| b | 150 | x | 250 | s1 | 28 |
| d | 65 | h2 | 630 | | |
| e | 28 | m2 | 250 | | |

| OPERATING DATA - ISO 9906:2012 3B - M.E.I. ≥ 0.40 | | | | | CONSTRUCTION CHARACTERISTICS | | | |
|---|-------|--------|-------|----------|------------------------------|-----|------------|----|
| Q [l/s] | H [m] | P [kW] | η [%] | NPSH [m] | | | | |
| | | | | | UNI delivery flange DN | 250 | PN | 16 |
| | | | | | UNI suction flange DN | 300 | PN | 16 |
| | | | | | Total weight | 670 | | Kg |
| | | | | | No. Stages | | 1 | |
| | | | | | Pump seal | | Mechanical | |
| | | | | | Type of installation | | Horizontal | |

| OPERATING LIMITS | | | OPERATING CHARACTERISTICS | | | |
|---|---|--------|---------------------------|-------|-----------|----------|
| Pumped liquid | Water | | Service flow rate | | n.d. | n.d. |
| Max. temperature of pumped liquid | n.d. | | Service head | | n.d. | n.d. |
| Maximum density | 1 | kg/dm³ | Qmin | Qmax | 100 | 448 |
| Maximum viscosity | 1 | mm²/s | H (Q=0) Hmax (Qmin) | | 95.78 | 95 |
| Max. solid content | 50 | g/m³ | P2 Duty Point | P2max | n.d. | 313.76 |
| Max. no. starts/hr | n.d. | | Pump hydraulic efficiency | | n.d. | n.d. |
| Maximum operating time with closed port | 2min (3500 rpm) 6min (1450 rpm) [40 °C] | | Rotation speed | | 1450 | 1/min |
| | | | Sense of rotation (*) | | Clockwise | |
| | | | Number of pumps installed | | Operating | Stand-by |
| | | | | | 1 | 0 |

| PUMP MATERIALS | |
|-----------------------|---------------------------------|
| Pump casing | Cast iron |
| Impeller | Cast iron |
| Lantern bracket | Cast iron |
| Shaft | Stainless steel |
| Wear ring | Cast iron |
| Support | Cast iron |
| Bearing | n.d. |
| Water retainer ring | Nitrile rubber |
| Feather key | Stainless steel |
| Feather key 2 | Steel |
| Seal ring | Nitrile rubber |
| Mechanical seal | Silicon carbide/silicon carbide |
| Spacer sleeve | Stainless steel |
| Seal ring | Nitrile rubber |
| Cover mechanical seal | Cast iron |
| Duck foot pedestal | Steel |
| Cover bearing | Cast iron |

| | | |
|---------------|-----------------------------------|--------------------|
| Notes: | (*) View from motor coupling side | |
| OFFER No. | Pos. | Date 16/01/2020 |