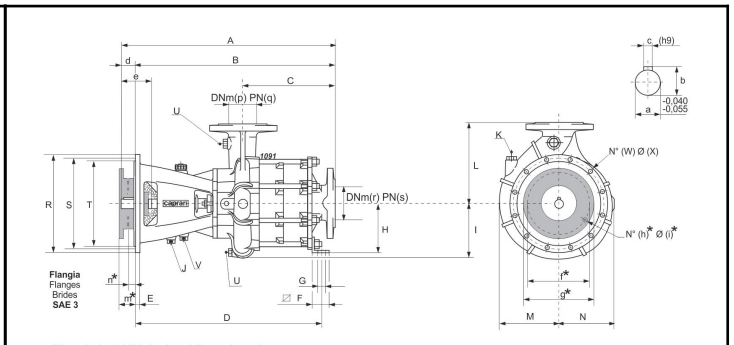
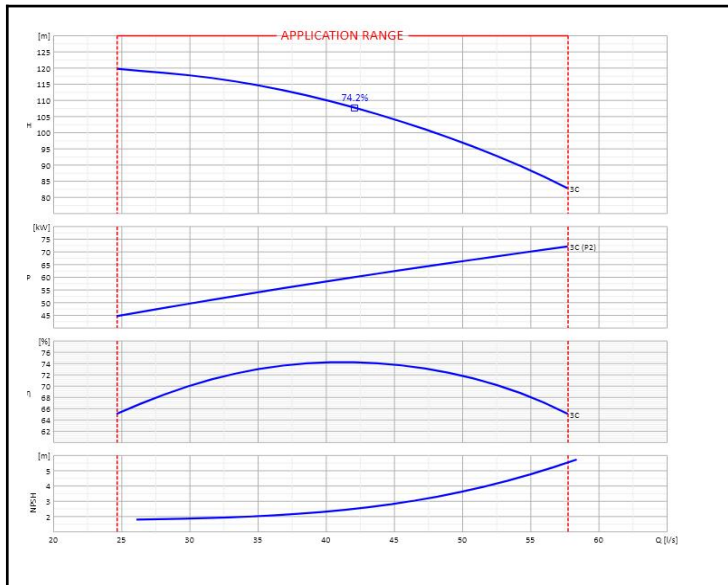


<b>Customer:</b>		<b>Ref.:</b>	
<b>Item</b>	Quantity	<b>Required flow</b>	n.d.
<b>Type</b>	CENTRIFUGAL PUMP WITH HORIZONTAL SHAFT	<b>Model</b>	MEC-MG100/3C



\*Dimensioni variabili in funzione della grandezza giunto  
\*Variable dimensions according to coupling's size

Dimensions [mm]							
A	907	J	G 3/8"	V	G 1/2"	q	16
B	887	K	G 3/8"	W	12	r	125
C	415	L	400	X	11.5	s	16
D	839	M	285	a	45		
E	20	N	263	b	48.5		
F	65	R	451	c	14		
G	24	S	428.6	d	20		
H	280	T	409.6	e	102		
I	286	U	G 3/8"	p	100		

OPERATING DATA- ISO 9906:2012 3B -					CONSTRUCTION CHARACTERISTICS			
Q [l/s]	H [m]	P [kW]	η [%]	NPSH [m]	UNI delivery flange DN	100	PN	16
					UNI suction flange DN	125	PN	16
					Total weight	312		Kg
					No. Stages	3		
					Pump seal	Packing		
					Type of installation	Horizontal		

OPERATING LIMITS			OPERATING CHARACTERISTICS			
Pumped liquid	Water		Service flow rate	n.d.	n.d.	
Max. temperature of pumped liquid	n.d.		Service head	n.d.	n.d.	
Maximum density	1	kg/dm <sup>3</sup>	Qmin	24.66	57.74	l/s
Maximum viscosity	1	mm <sup>2</sup> /s	H (Q=0)	120.4	119.65	m
Max. solid content	20	g/m <sup>3</sup>	P2 Duty Point	n.d.	72	kW
Max. no. starts/hr	n.d.		P2max			
Maximum operating time with closed port	10min (2400rpm) [40 °C]		Pump hydraulic efficiency	n.d.	n.d.	
			Rotation speed	1450	1/min	
			Sense of rotation (*)	n.d.		
Number of pumps installed			Operating	1	Stand-by	0

PUMP MATERIALS	
Delivery casing	Cast iron
Suction casing	Cast iron
Impeller	Cast iron
Diffuser	Cast iron
Casing	Cast iron
Stuffing box	Cast iron
Wear ring	Cast iron
Bearing bush	Bronze
Packing	Graphited cord
Lantern bracket	Cast iron
Pump shaft	Stainless steel
Bearing flange	Cast iron
Shaft sleeve	Steel
Shaft guard	Stainless steel
Feather key	Steel
Tie rod	Steel

<b>Notes:</b>	(*) View from motor coupling side
OFFER No.	Pos.
	Date 16/01/2020