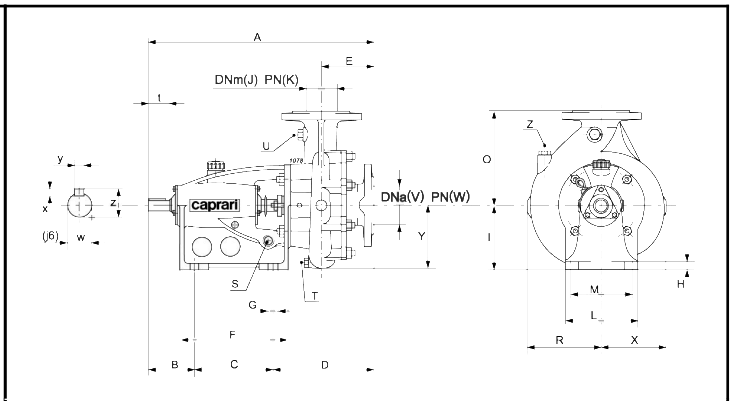
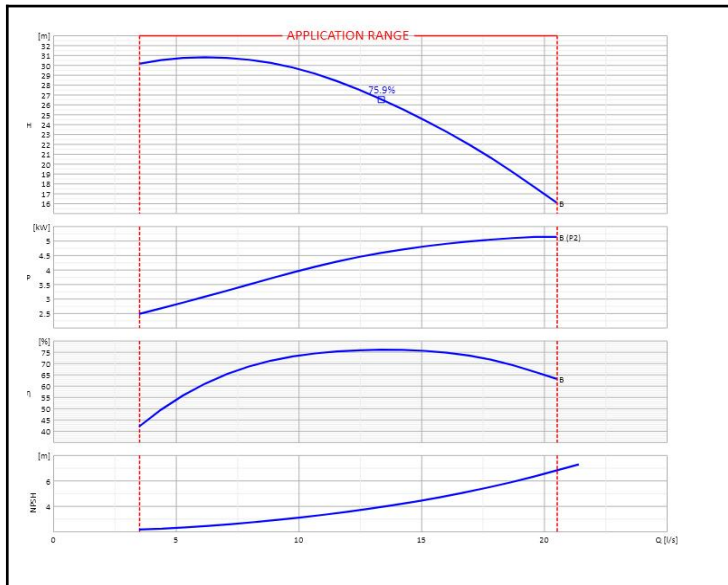


Customer:		Ref.:	
Item	Quantity	Required flow	n.d.
Type	CENTRIFUGAL PUMP WITH HORIZONTAL SHAFT	Model	MEC-A1/50B



A	465	J	50	V	65	z	21.5
B	95	K	16	W	16		
C	160	L	146	X	114		
D	210	M	120	Y	122		
E	110	O	175	Z	G 3/8"		
F	220	R	133	t	45		
G	16	S	G 3/8"	w	19		
H	14	T	G 3/8"	x	6		
I	132	U	G 3/8"	y	6		

OPERATING DATA - ISO 9906:2012 3B - M.E.I.≥0.40					CONSTRUCTION CHARACTERISTICS			
Q [l/s]	H [m]	P [kW]	η [%]	NPSH [m]	UNI delivery flange DN	50	PN	16
					UNI suction flange DN	65	PN	16
					Total weight	36		Kg
					No. Stages		1	
					Pump seal		Packing	
					Type of installation		Horizontal	

OPERATING LIMITS			OPERATING CHARACTERISTICS			
Pumped liquid	Water		Service flow rate		n.d.	n.d.
Max. temperature of pumped liquid	n.d.		Service head		n.d.	n.d.
Maximum density	1	kg/dm ³	Qmin	Qmax	3.5	20.52
Maximum viscosity	1	mm ² /s	H (Q=0) Hmax (Qmin)		28.12	30.12
Max. solid content	20	g/m ³	P2 Duty Point	P2max	n.d.	5.13
Max. no. starts/hr	n.d.		Pump hydraulic efficiency		n.d.	n.d.
Maximum operating time with closed port	10min (3500 rpm) [40 °C]		Rotation speed		2900	1/min
			Sense of rotation (*)		Clockwise	
			Number of pumps installed		Operating	Stand-by
					1	0

PUMP MATERIALS	
Delivery casing	Cast iron
Suction casing	Cast iron
Impeller	Cast iron
Stuffing box	Cast iron
Wear ring	Cast iron
Rear wear ring	Cast iron
Deflector	Rubber
Packing	Graphited cord
Impeller nut	Steel
Gasket for suction cover	Impregnated plastic material
Pedestal	Cast iron
Bearing flange	Cast iron
Pump shaft	Steel
Shaft sleeve	Steel
Stuffing box studs	Stainless steel
Stuffing box nuts	Stainless steel

Notes:	(*) View from motor coupling side
OFFER No.	Pos.
	Date 17/01/2020