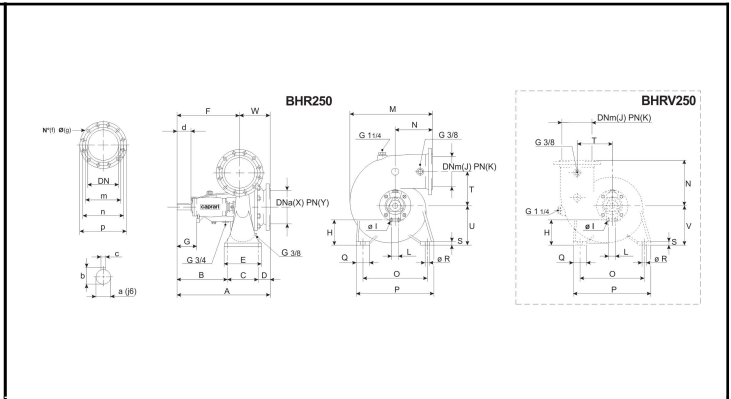
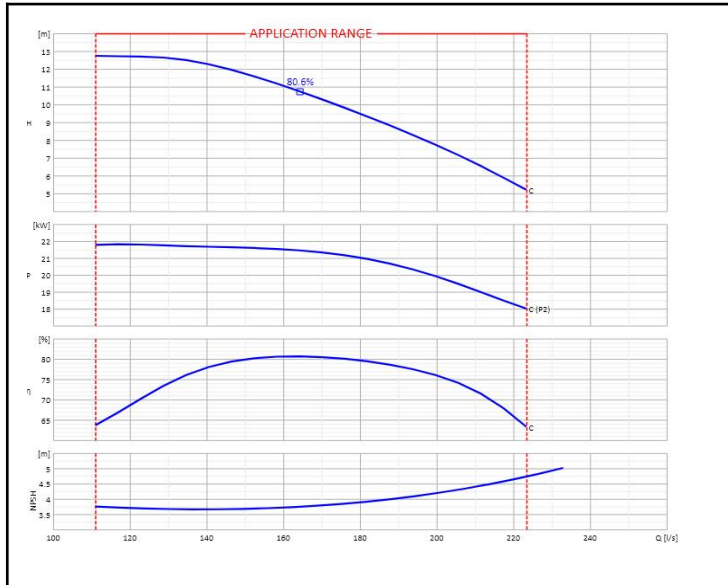


<b>Customer:</b>		<b>Ref.:</b>	
<b>Item</b>	Quantity	<b>Required flow</b>	n.d.
<b>Type</b>	CENTRIFUGAL PUMP WITH HORIZONTAL SHAFT	<b>Model</b>	<b>BHR250C</b>



A	735	J	250	S	25	c	14
B	395	K	6	T	270	d	110
C	250	L	70	U	320	f	12
D	90	M	657	V	370	g	18
E	300	N	300	W	235	m	300
F	500	O	500	X	250	n	335
G	155	P	608	Y	6	p	375
H	210	Q	100	a	48		
I	11.5	R	25	b	51.5		

OPERATING DATA - ISO 9906:2012 3B - M.E.I. ≥ 0.40					CONSTRUCTION CHARACTERISTICS			
Q [l/s]	H [m]	P [kW]	η [%]	NPSH [m]	UNI delivery flange DN	250	PN	6
					UNI suction flange DN	250	PN	6
					Total weight	230		Kg
					No. Stages		1	
					Pump seal		Packing	
					Type of installation		Horizontal	

OPERATING LIMITS			OPERATING CHARACTERISTICS		
Pumped liquid	Water		Service flow rate	n.d.	n.d.
Max. temperature of pumped liquid	n.d.		Service head	n.d.	n.d.
Maximum density	n.d.		Qmin	111	223.4
Maximum viscosity	n.d.		H (Q=0)	16.11	12.73
Max. solid content	20	g/m³	P2 Duty Point	n.d.	21.81
Max. no. starts/hr	n.d.		P2max		
Maximum operating time with closed port	n.d.		Pump hydraulic efficiency	n.d.	n.d.
			Rotation speed	1450	1/min
			Sense of rotation (*)	Clockwise	
			Number of pumps installed	Operating	Stand-by
			1	0	

PUMP MATERIALS	
Delivery casing	Cast iron
Bearing support	Cast iron
Impeller	Cast iron
Pump shaft	Steel
Stuffing box	Cast iron
Shaft sleeve	Steel
Deflector	Rubber
Gasket for suction cover	Rubber
Wear ring	Cast iron
Threaded locking ring	Steel
Packing	Graphited cord
Stuffing box nuts	Steel
Stuffing box studs	Steel

<b>Notes:</b>	(*) View from motor coupling side
OFFER No.	Pos.
	Date 16/01/2020