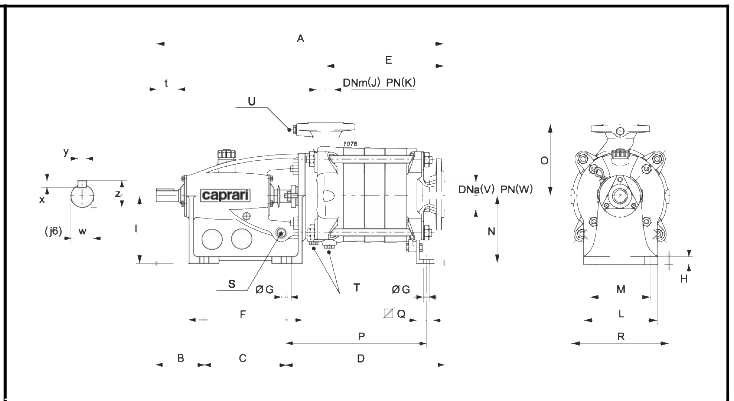
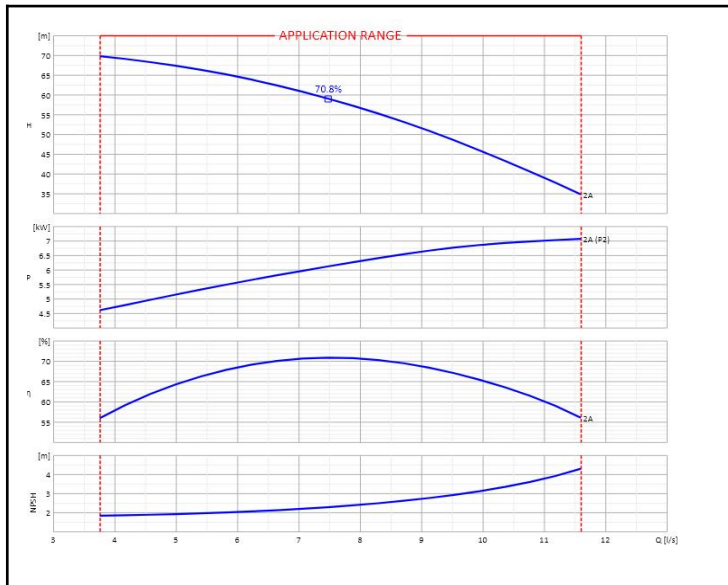


Customer:		Ref.:	
Item	Quantity	Required flow	n.d.
Type	CENTRIFUGAL PUMP WITH HORIZONTAL SHAFT	Model	HMU40-2/2A



Dimensions [mm]							
A	596	J	40	S	G 1/2"	z	31
B	124	K	40	T	G 3/8"		
C	185	L	180	U	G 3/8"		
D	287	M	150	V	65		
E	198	N	n.d.	W	16		
F	255	O	175	t	65		
G	19	P	n.d.	w	28		
H	16	Q	n.d.	x	7		
I	160	R	245	y	8		

OPERATING DATA - ISO 9906:2012 3B -					CONSTRUCTION CHARACTERISTICS			
Q [l/s]	H [m]	P [kW]	η [%]	NPSH [m]	UNI delivery flange DN	40	PN	40
					UNI suction flange DN	65	PN	16
					Total weight	62		Kg
					No. Stages		2	
					Pump seal		Packing	
					Type of installation		Horizontal	

OPERATING LIMITS			OPERATING CHARACTERISTICS		
Pumped liquid	Water		Service flow rate	n.d.	n.d.
Max. temperature of pumped liquid	n.d.		Service head	n.d.	n.d.
Maximum density	1	kg/dm ³	Qmin	3.76	11.6
Maximum viscosity	1	mm ² /s	H (Q=0)	67.5	69.72
Max. solid content	20	g/m ³	Hmax (Qmin)		
Max. no. starts/hr	n.d.		P2 Duty Point	n.d.	7.06
			P2max		kW
Maximum operating time with closed port	4min (3500 rpm) [40 °C]		Pump hydraulic efficiency	n.d.	n.d.
			Rotation speed	2900	1/min
			Sense of rotation (*)	Clockwise	
			Number of pumps installed	Operating	Stand-by
				1	0

PUMP MATERIALS	
Delivery casing	Cast iron
Support Suction	Cast iron
Impeller	Stainless steel
Pump shaft	Stainless steel
Stuffing box	Cast iron
Bearing flange	Cast iron
Diffuser	Cast iron
Casing	Cast iron
Pedestal	Cast iron
Shaft sleeve	Stainless steel
Packing	Graphited cord
Bearing	n.d.
Seal ring	Rubber
OR seal ring	Rubber
Stuffing box studs	Stainless steel
Screws and nuts	Stainless steel

Notes:	(*) View from motor coupling side
OFFER No.	Pos.
	Date 14/01/2020