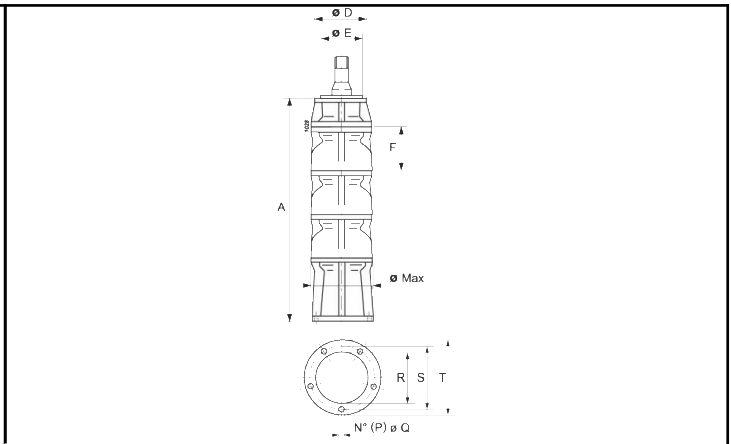
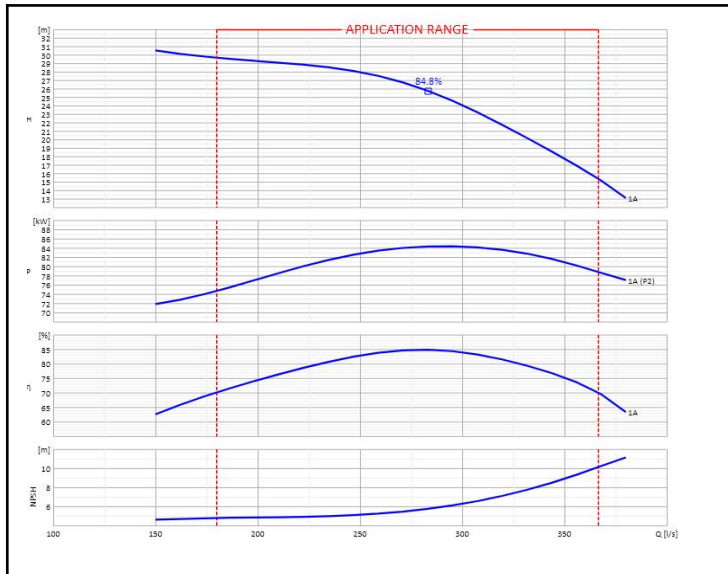


Customer:		Ref.:	
Item	Quantity	Required flow	n.d.
Type	VERTICAL LINESHAFT PUMP	Model	P18C/14-18/45/1A



Dimensions [mm]

OPERATING DATA- ISO 9906:2012 3B -					CONSTRUCTION CHARACTERISTICS				
Q [l/s]	H [m]	P [kW]	η [%]	NPSH [m]	Delivery diameter	n.d.	n.d.	PN	n.a
					Ass'y weight	262		Kg	
					No. Stages	1			
					Seal	Packing			
					Total moment of inertia	162500 Kgm ²			
					Installation depth (m)	n.d.	mm		

OPERATING LIMITS				PUMP MATERIALS			
Pumped liquid	Water			Delivery body	Cast iron		
Max. temp. of pumped liquid	60	°C		Diffuser unit			
Maximum density	1	kg/dm ³		Suction casing	Cast iron		
Maximum viscosity	1	mm ² /s		Impeller	Cast iron		
Max. solid content	40	g/m ³		Shaft	Stainless steel		
Max. number of starts/hr	n.d.			Coupling	Stainless steel		
Minimum immersion depth	1215	mm		Pump shaft bearing bush	Stainless steel/rubber		

OPERATING CHARACTERISTICS					LINESHAFT MATERIALS			
Service flow rate	n.d.		n.d.		Wear ring	Cast iron		
Service head	n.d.		n.d.		Sand guard	Stainless steel/rubber		
Qmin	Qmax	179.76	366.4	l/s	Feather key	Steel		
H (Q=0)	Hmax (Qmin)	38.6	29.66	m	****			
Pump efficiency	Overall efficiency	n.d.	n.d.	n.d.	****			
P2 absorbed	P2max	n.d.	84.34	kW	****			
Sense of rotation (*)	n.d.				****			
Number of pumps installed	Operating		Stand-by		****			
	1		0		****			

ELECTRIC MOTOR CHARACTERISTICS					DRIVE UNIT MATERIALS			
Nominal power	n.d.		n.d.		****			
Rated frequency	n.d.		n.d.		****			
Rated voltage	n.d.		n.d.		****			
Rated current	n.d.		n.d.		****			
No. Poles	Rotation speed	n.d.	1450	1/min	****			
Efficiency 4/4 - 3/4	- %				****			
Power factor 4/4 - 3/4	n.d.				****			
Is/In	Ts/Tn	n.d.	n.d.		****			
Protection class	n.d.				****			
Efficiency class					****			

Notes:	(*)		
OFFER No.		Pos.	Date 16/01/2020