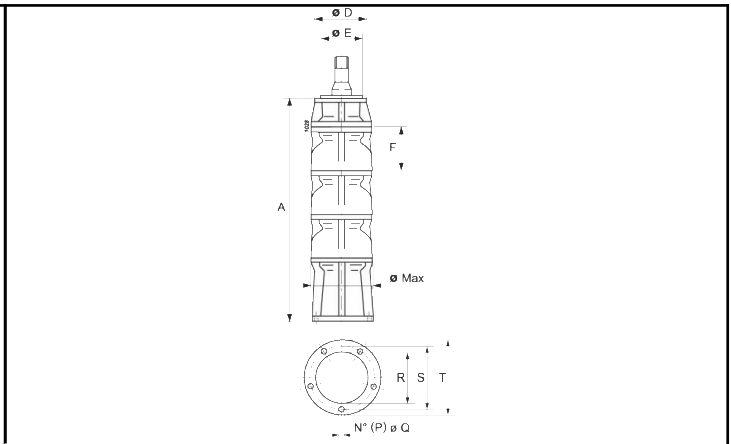
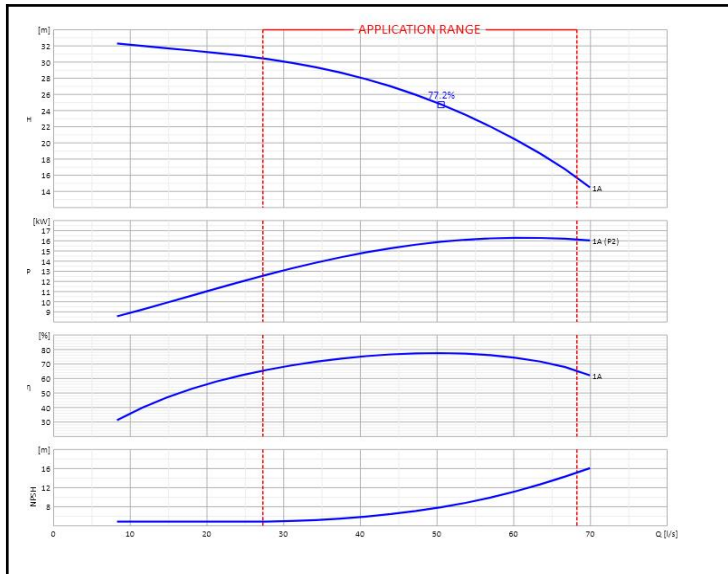


|                  |                         |                      |             |
|------------------|-------------------------|----------------------|-------------|
| <b>Customer:</b> |                         | <b>Ref.:</b>         |             |
| <b>Item</b>      | Quantity                | <b>Required flow</b> | n.d.        |
| <b>Type</b>      | VERTICAL LINESHAFT PUMP | <b>Model</b>         | P9C/6/24/1A |



Dimensions [mm]

|  |  |  |  |  |  |  |  |
|--|--|--|--|--|--|--|--|
|  |  |  |  |  |  |  |  |
|  |  |  |  |  |  |  |  |
|  |  |  |  |  |  |  |  |
|  |  |  |  |  |  |  |  |

| OPERATING DATA- ISO 9906:2012 3B - |       |        |       |          | CONSTRUCTION CHARACTERISTICS |                       |      |    |     |
|------------------------------------|-------|--------|-------|----------|------------------------------|-----------------------|------|----|-----|
| Q [l/s]                            | H [m] | P [kW] | η [%] | NPSH [m] | Delivery diameter            | n.d.                  | n.d. | PN | n.a |
|                                    |       |        |       |          | Ass'y weight                 | 41                    |      |    | Kg  |
|                                    |       |        |       |          | No. Stages                   | 1                     |      |    |     |
|                                    |       |        |       |          | Seal                         | Packing               |      |    |     |
|                                    |       |        |       |          | Total moment of inertia      | 7000 Kgm <sup>2</sup> |      |    |     |
|                                    |       |        |       |          | Installation depth (m)       | n.d.                  |      |    | mm  |

| OPERATING LIMITS            |       |                    | PUMP MATERIALS          |                        |
|-----------------------------|-------|--------------------|-------------------------|------------------------|
| Pumped liquid               | Water |                    | Delivery body           | Cast iron              |
| Max. temp. of pumped liquid | 60    | °C                 | Diffuser unit           | Cast iron              |
| Maximum density             | 1     | kg/dm <sup>3</sup> | Suction casing          | Cast iron              |
| Maximum viscosity           | 1     | mm <sup>2</sup> /s | Impeller                | Cast iron              |
| Max. solid content          | 40    | g/m <sup>3</sup>   | Shaft                   | Stainless steel        |
| Max. number of starts/hr    | n.d.  |                    | Coupling                | Stainless steel        |
| Minimum immersion depth     | 585   | mm                 | Pump shaft bearing bush | Stainless steel/rubber |

| OPERATING CHARACTERISTICS |                    |       |          |      | LINESHAFT MATERIALS |      |
|---------------------------|--------------------|-------|----------|------|---------------------|------|
| Service flow rate         | n.d.               |       | n.d.     |      |                     |      |
| Service head              | n.d.               |       | n.d.     |      |                     |      |
| Qmin                      | Qmax               | 27.28 | 68.24    | l/s  | ****                | **** |
| H (Q=0)                   | Hmax (Qmin)        | 33.5  | 30.4     | m    | ****                | **** |
| Pump efficiency           | Overall efficiency | n.d.  | n.d.     | n.d. | ****                | **** |
| P2 absorbed               | P2max              | n.d.  | 16.26    | kW   | ****                | **** |
| Sense of rotation (*)     | n.d.               |       |          |      |                     |      |
| Number of pumps installed | Operating          |       | Stand-by |      | ****                | **** |
|                           | 1                  |       | 0        |      | ****                | **** |

| ELECTRIC MOTOR CHARACTERISTICS |                |      |      |       | DRIVE UNIT MATERIALS |      |
|--------------------------------|----------------|------|------|-------|----------------------|------|
| Nominal power                  | n.d.           |      | n.d. |       | ****                 | **** |
| Rated frequency                | n.d.           |      | n.d. |       | ****                 | **** |
| Rated voltage                  | n.d.           |      | n.d. |       | ****                 | **** |
| Rated current                  | n.d.           |      | n.d. |       | ****                 | **** |
| No. Poles                      | Rotation speed | n.d. | 2900 | 1/min | ****                 | **** |
| Efficiency 4/4 - 3/4           | - %            |      |      |       |                      |      |
| Power factor 4/4 - 3/4         | n.d.           |      |      |       |                      |      |
| Is/In                          | Ts/Tn          | n.d. | n.d. |       | ****                 | **** |
| Protection class               | n.d.           |      |      |       |                      |      |
| Efficiency class               |                |      |      |       |                      |      |

|               |            |
|---------------|------------|
| <b>Notes:</b> | (*)        |
| OFFER No.     | Pos.       |
|               | Date       |
|               | 16/01/2020 |