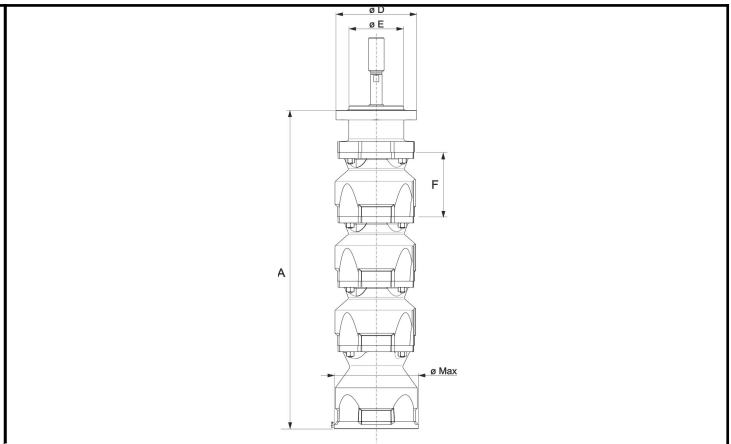
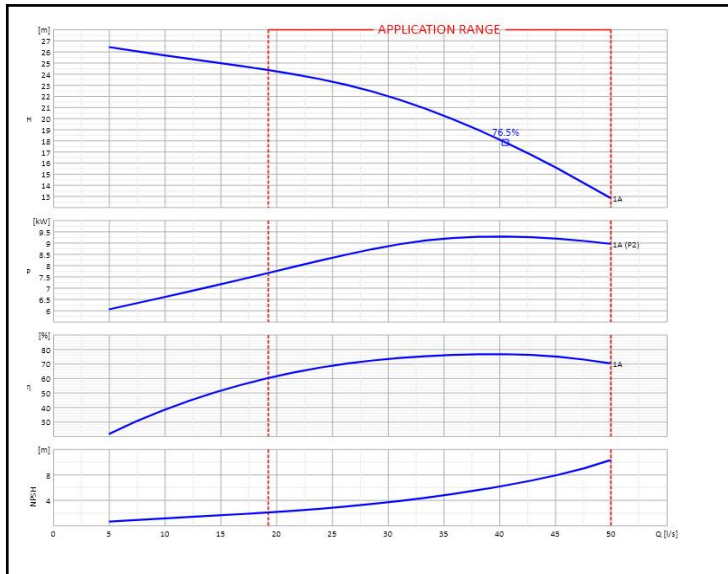


<b>Customer:</b>		<b>Ref.:</b>	
<b>Item</b>	Quantity	<b>Required flow</b>	n.d.
<b>Type</b>	VERTICAL LINESHAFT PUMP	<b>Model</b>	P8P135/5/20/1A



Dimensions [mm]


OPERATING DATA- ISO 9906:2012 3B -					CONSTRUCTION CHARACTERISTICS				
Q [l/s]	H [m]	P [kW]	η [%]	NPSH [m]	Delivery diameter	n.d.	n.d.	PN	n.a
					Ass'y weight	33.2			Kg
					No. Stages	1			
					Seal	Packing			
					Total moment of inertia	497 Kg <sup>m</sup>			
					Installation depth (m)	n.d.			mm

OPERATING LIMITS				PUMP MATERIALS			
Pumped liquid	Water			Delivery casing	Cast iron		
Max. temp. of pumped liquid	60		°C	Diffuser unit	Cast iron		
Maximum density	1		kg/dm <sup>3</sup>	Valve casing	Cast iron		
Maximum viscosity	1		mm <sup>2</sup> /s	Impeller	Cast iron		
Max. solid content	80		g/m <sup>3</sup>	Shaft	Stainless steel		
Max. number of starts/hr	n.d.			Coupling	Stainless steel		
Minimum immersion depth	487.5		mm	Pump shaft bearing bush	Stainless steel/rubber		

OPERATING CHARACTERISTICS					LINESHAFT MATERIALS				
Service flow rate	n.d.		n.d.		Taper lock	Stainless steel			
Service head	n.d.		n.d.		Wear ring	Steel/Rubber			
Qmin	Qmax	19.24	49.95	l/s	Sand guard	Stainless steel/rubber			
H (Q=0)	Hmax (Qmin)	27	24.34	m					
Pump efficiency	Overall efficiency	n.d.	n.d.	n.d.					
P2 absorbed	P2max	n.d.	9.27	kW					
Sense of rotation (*)	n.d.								
Number of pumps installed	Operating		Stand-by						
	1		0						

ELECTRIC MOTOR CHARACTERISTICS					DRIVE UNIT MATERIALS				
Nominal power	n.d.		n.d.						
Rated frequency	n.d.		n.d.						
Rated voltage	n.d.		n.d.						
Rated current	n.d.		n.d.						
No. Poles	Rotation speed	n.d.	2900	1/min					
Efficiency 4/4 - 3/4	- %								
Power factor 4/4 - 3/4	n.d.								
Is/In	Ts/Tn	n.d.	n.d.						
Protection class	n.d.								
Efficiency class									

<b>Notes:</b>	(*)		
	OFFER No.	Pos.	Date
			16/01/2020