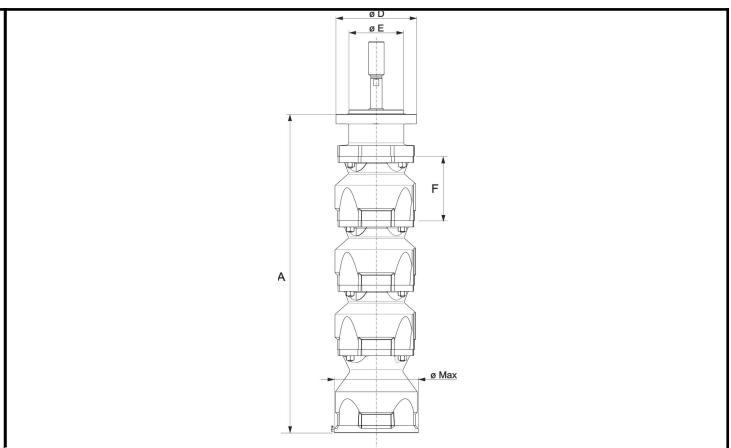
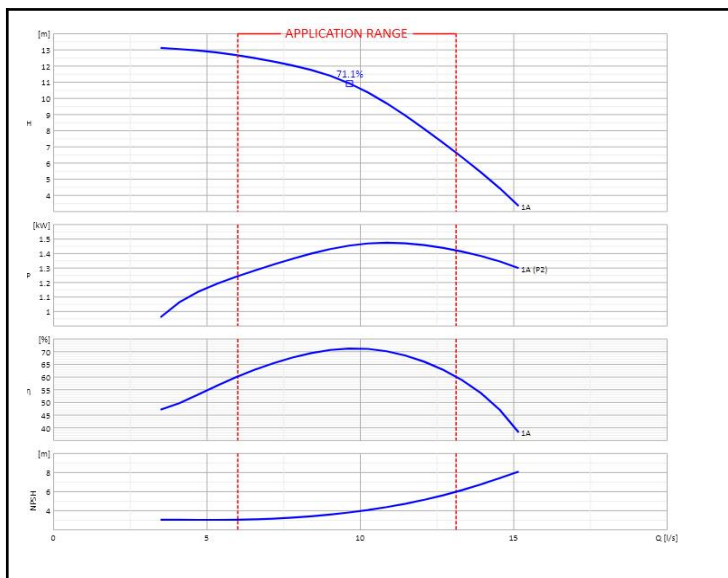


Customer:		Ref.:	
Item	Quantity	Required flow	n.d.
Type	VERTICAL LINESHAFT PUMP	Model	P6P35/3/20/1A



Dimensions [mm]

OPERATING DATA- ISO 9906:2012 3B -					CONSTRUCTION CHARACTERISTICS				
Q [l/s]	H [m]	P [kW]	η [%]	NPSH [m]	Delivery diameter	n.d.	n.d.	PN	n.a
					Ass'y weight	17.5			Kg
					No. Stages			1	
					Seal			Packing	
					Total moment of inertia			151 Kg ^m	
					Installation depth (m)	n.d.			mm

OPERATING LIMITS				PUMP MATERIALS			
Pumped liquid	Water			Delivery casing	Cast iron		
Max. temp. of pumped liquid	60		°C	Diffuser unit	Cast iron		
Maximum density	1		kg/dm ³	Valve casing	Cast iron		
Maximum viscosity	1		mm ² /s	Impeller	Cast iron		
Max. solid content	80		g/m ³	Shaft	Stainless steel		
Max. number of starts/hr	n.d.			Coupling	Stainless steel		
Minimum immersion depth	370		mm	Pump shaft bearing bush	Stainless steel/rubber		

OPERATING CHARACTERISTICS					LINESHAFT MATERIALS			
Service flow rate	n.d.		n.d.		Taper lock	Stainless steel		
Service head	n.d.		n.d.		Wear ring	Steel/Rubber		
Qmin	Qmax	6	13.12		Sand guard	Stainless steel		
H (Q=0)	Hmax (Qmin)	13.45	12.64	l/s				
Pump efficiency	Overall efficiency	n.d.	n.d.	m	****	****		
P2 absorbed	P2max	n.d.	1.47	kW	****	****		
Sense of rotation (*)	n.d.				****	****		
Number of pumps installed	Operating		Stand-by		****	****		
	1		0		****	****		

ELECTRIC MOTOR CHARACTERISTICS					DRIVE UNIT MATERIALS			
Nominal power	n.d.		n.d.		****	****		
Rated frequency	n.d.		n.d.		****	****		
Rated voltage	n.d.		n.d.		****	****		
Rated current	n.d.		n.d.		****	****		
No. Poles	Rotation speed	n.d.	2900	1/min	****	****		
Efficiency 4/4 - 3/4	- %				****	****		
Power factor 4/4 - 3/4	n.d.				****	****		
Is/In	Ts/Tn	n.d.	n.d.		****	****		
Protection class	n.d.				****	****		
Efficiency class					****	****		

Notes:	(*)		
	OFFER No.	Pos.	Date
			16/01/2020