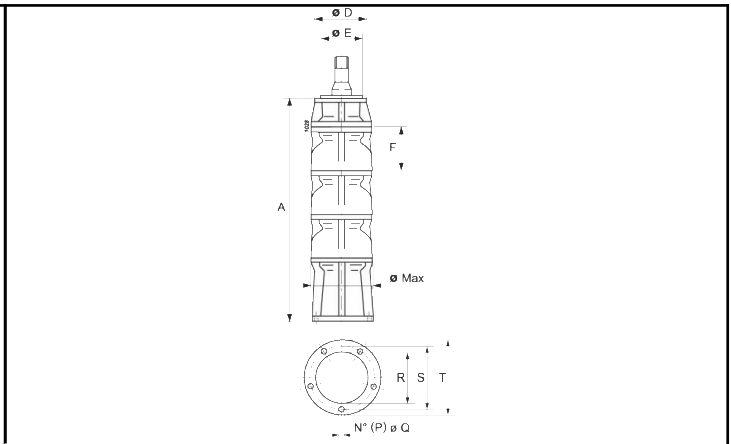
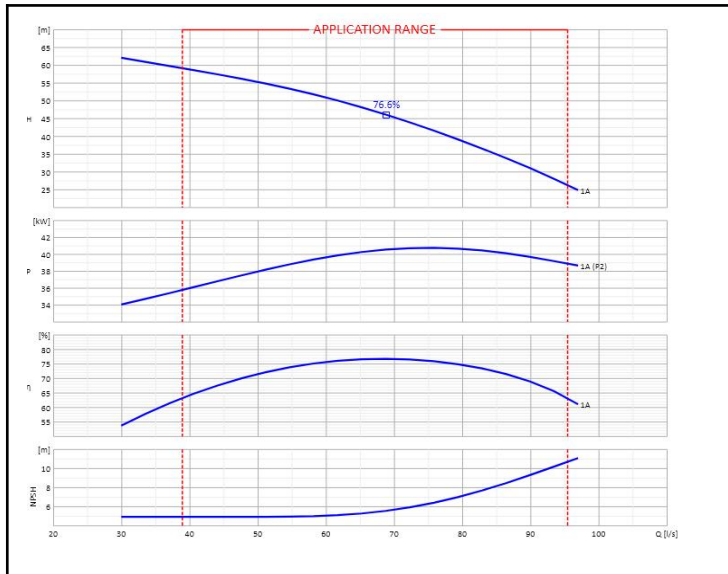


Customer:		Ref.:	
Item	Quantity	Required flow	n.d.
Type	VERTICAL LINESHAFT PUMP	Model	P12B/7/30/1A



Dimensions [mm]

OPERATING DATA- ISO 9906:2012 3B -					CONSTRUCTION CHARACTERISTICS				
Q [l/s]	H [m]	P [kW]	η [%]	NPSH [m]	Delivery diameter	n.d.	n.d.	PN	n.a
					Ass'y weight	82			Kg
					No. Stages	1			
					Seal	Packing			
					Total moment of inertia	22500 Kgm ²			
					Installation depth (m)	n.d.			mm

OPERATING LIMITS			PUMP MATERIALS	
Pumped liquid	Water		Delivery body	Cast iron
Max. temp. of pumped liquid	60	°C	Diffuser unit	Cast iron
Maximum density	1	kg/dm ³	Suction casing	Cast iron
Maximum viscosity	1	mm ² /s	Impeller	Stainless steel
Max. solid content	40	g/m ³	Shaft	Stainless steel
Max. number of starts/hr	n.d.		Coupling	Stainless steel
Minimum immersion depth	730	mm	Pump shaft bearing bush	Stainless steel/rubber

OPERATING CHARACTERISTICS					LINESHAFT MATERIALS	
Service flow rate	n.d.		n.d.		****	****
Service head	n.d.		n.d.		****	****
Qmin	Qmax	38.88	95.4	l/s	****	****
H (Q=0)	Hmax (Qmin)	72.5	59.09	m	****	****
Pump efficiency	Overall efficiency	n.d.	n.d.	n.d.	****	****
P2 absorbed	P2max	n.d.	40.72	kW	****	****
Sense of rotation (*)	n.d.				****	****
Number of pumps installed	Operating		Stand-by		****	****
	1		0		****	****

ELECTRIC MOTOR CHARACTERISTICS					DRIVE UNIT MATERIALS	
Nominal power	n.d.		n.d.		****	****
Rated frequency	n.d.		n.d.		****	****
Rated voltage	n.d.		n.d.		****	****
Rated current	n.d.		n.d.		****	****
No. Poles	Rotation speed	n.d.	2900	1/min	****	****
Efficiency 4/4 - 3/4	- %				****	****
Power factor 4/4 - 3/4	n.d.				****	****
Is/In	Ts/Tn	n.d.	n.d.		****	****
Protection class	n.d.				****	****
Efficiency class					****	****

Notes:	(*)		
	OFFER No.	Pos.	Date 16/01/2020